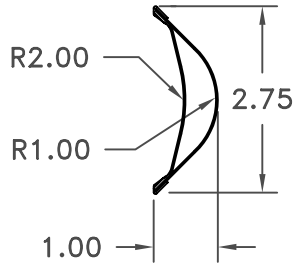
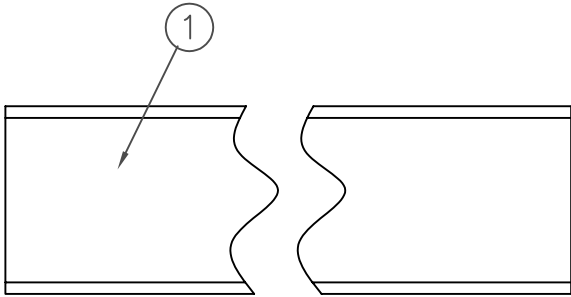
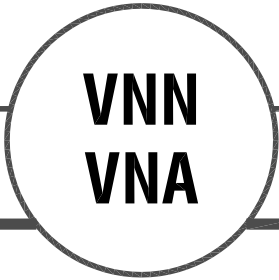


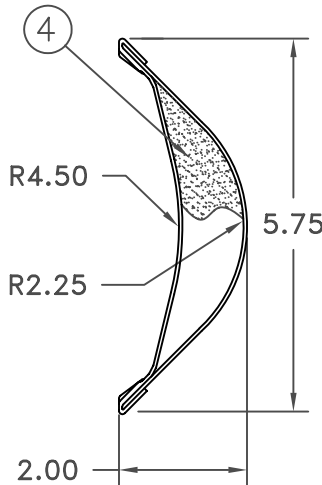
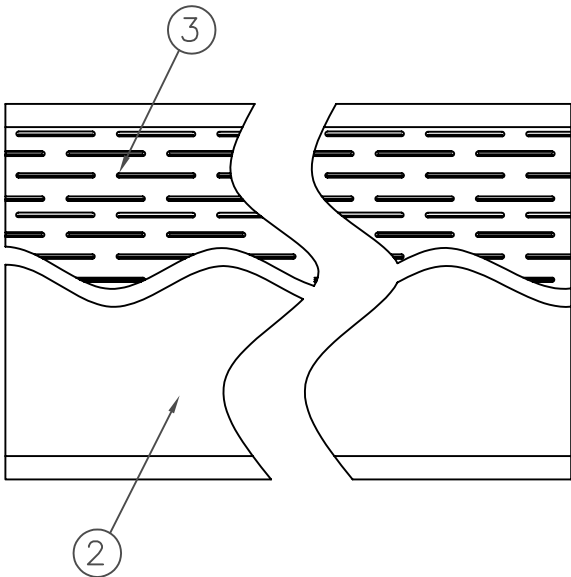
# WARD VANE

2" and 4" Standard and Acoustical Vane



**SPECIFICATIONS:**

1. Rollformed 26 gauge 2" vane
2. Rollformed 24 gauge 4" vane
3. Perforated inner vane (acoustical only)
4. Insulation (acoustical only)



**NOTES:**

1. Available in the following materials:
  - Galvanized
  - Aluminum
  - Stainless Steel
 Contact factory for availability of other materials.
2. Available in 10' lengths. Contact factory for custom lengths.
3. Designed to minimize vibration.
4. 4" vane available as standard or acoustical.

JOB NAME: _____ LOCATION: _____ ARCHITECT: _____ ENGINEER: _____ CONTRACTOR: _____	SUBMITTED BY: _____   
--	---------------------------------



500 E. Eighth Street • Holland, MI 49423  
 T (800) 466-9374 • F (866) 466-9335 • www.wardind.com