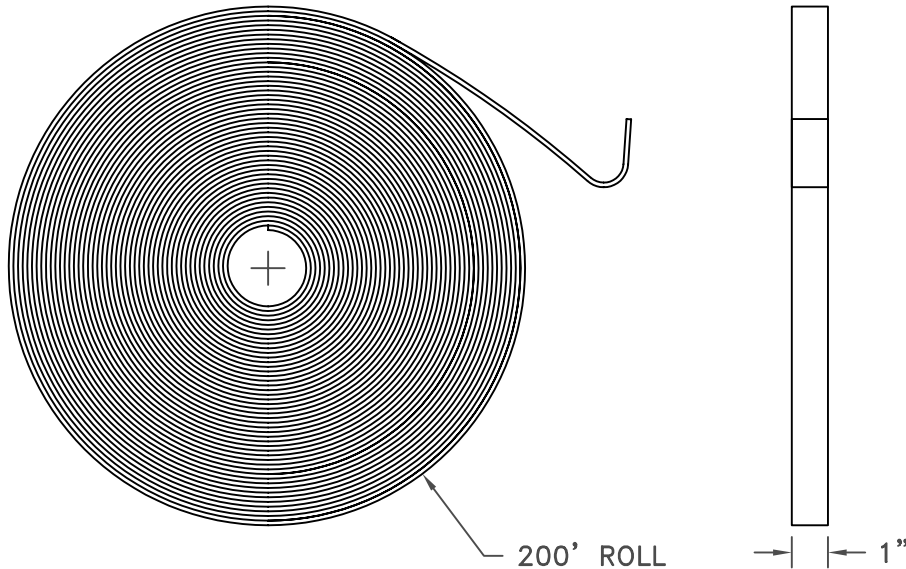


WARD COMPONENT

Hanger Strap

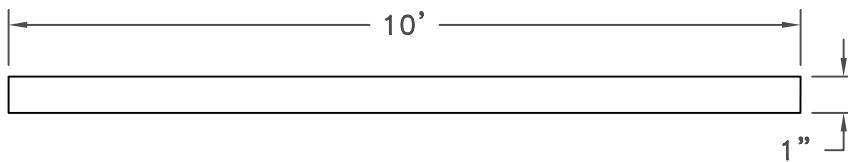
SHR
SHB



Roll

SPECIFICATIONS:

1. Ductile metal construction



Blank

NOTES:

1. Available in the following gauges:
 - 16
 - 18
 - 20
 - 22
 - 24
2. Available in rolls or flat blanks.
3. Great multipurpose product for hanging ductwork.

| | |
|-------------------|---------------------|
| JOB NAME: _____ | SUBMITTED BY: _____ |
| LOCATION: _____ | |
| ARCHITECT: _____ | |
| ENGINEER: _____ | |
| CONTRACTOR: _____ | |



500 E. Eighth Street • Holland, MI 49423
T (800) 466-9374 • F (866) 466-9335 • www.wardind.com