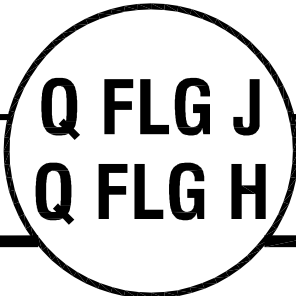
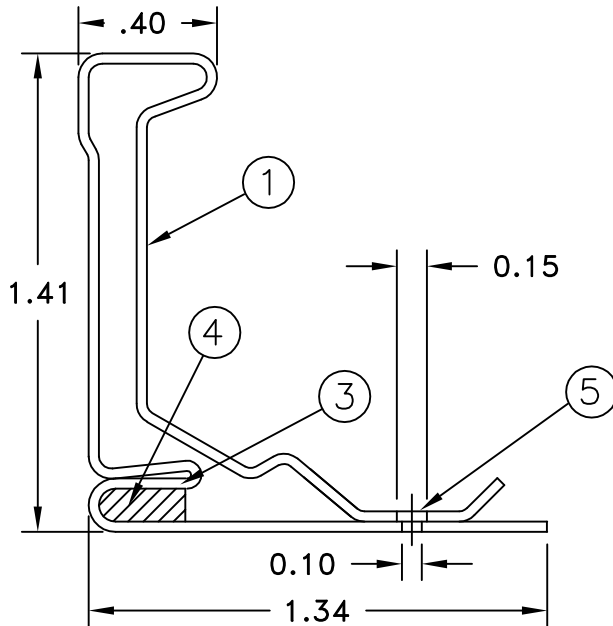


WARD CONNECTOR

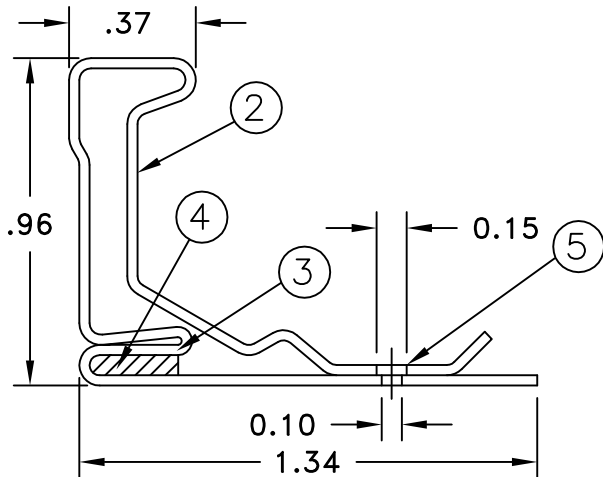


Quick J Flange and Quick H Flange

SMACNA RATED "J" AND "H" TRANSVERSE JOINT DUCT CONNECTORS



Quick J Flange



Quick H Flange

SPECIFICATIONS:

1. Quick J Flange is rollformed from 20 gauge material
2. Quick H Flange is rollformed from 22 gauge material
3. Large integrated sealant pocket
4. Butyl sealant (factory installed)
5. Pre punched hole every 1" (recommended 5/16" fastener)

NOTES:

1. Available in 10' and 20' lengths. Contact factory for custom lengths.
2. Available in the following metals:
 - Galvanized (Quick J and Quick H)
 - Aluminum (Quick J)
 - Aluminized (Quick J and Quick H)
 - Galvaneal (Quick J and Quick H)
3. Recommended for 26 GA through 14 GA ductwork.
4. Quick J Flange meets SMACNA rigidity Class J for transverse joints (steel) or Class H for transverse joints (aluminum).
5. Quick H Flange meets SMACNA rigidity Class H for transverse joints.
6. Reference Ward J and H Flange Duct Construction Standards for installation instructions and a complete reference to approved applications (separate).

JOB NAME: _____ LOCATION: _____ ARCHITECT: _____ ENGINEER: _____ CONTRACTOR: _____	SUBMITTED BY: _____
--	---------------------------------