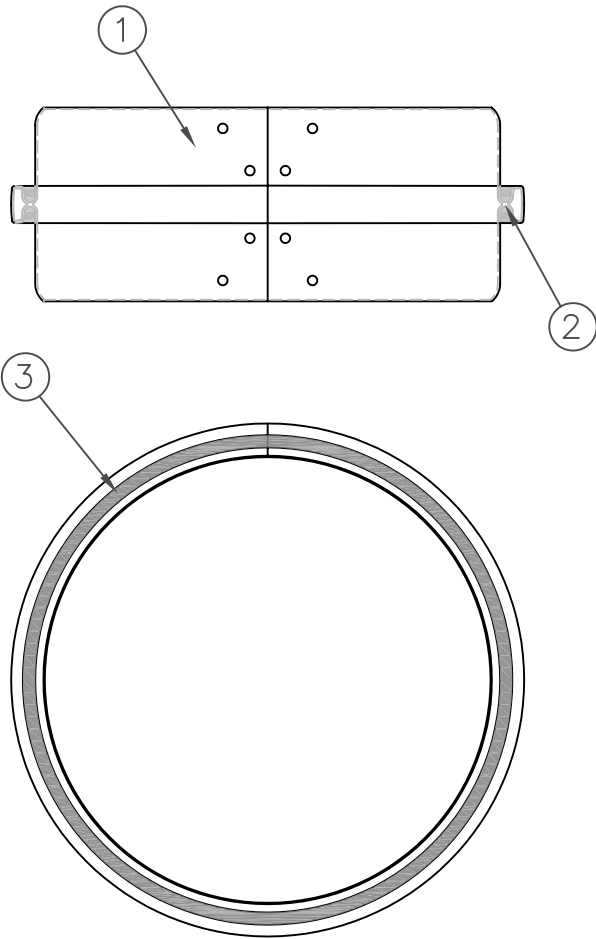


# WARD CONNECTOR

## Keating Coupling

For Round or Oval Single Wall Ductwork

KKC



### SPECIFICATIONS:

1. Rollformed 20 gauge construction
2. Large integrated sealant pockets
3. Butyl sealant (factory installed)

### NOTES:

1. Available in round or oval styles, with sizes ranging from 10" to 72" in diameter.
2. Available in the following metals:
  - Galvanized
  - Aluminum
  - Galvaneal
  - Stainless SteelContact factory for availability of other materials.
3. Provides a virtually air-tight connection for both round or oval duct.
4. Has been tested for leakage in accordance with the SMACNA HVAC air duct leakage test manual, first edition. 1985.

JOB NAME: _____	SUBMITTED BY: _____
LOCATION: _____	
ARCHITECT: _____	
ENGINEER: _____	
CONTRACTOR: _____	



500 E. Eighth Street • Holland, MI 49423  
T (800) 466-9374 • F (866) 466-9335 • www.wardind.com