

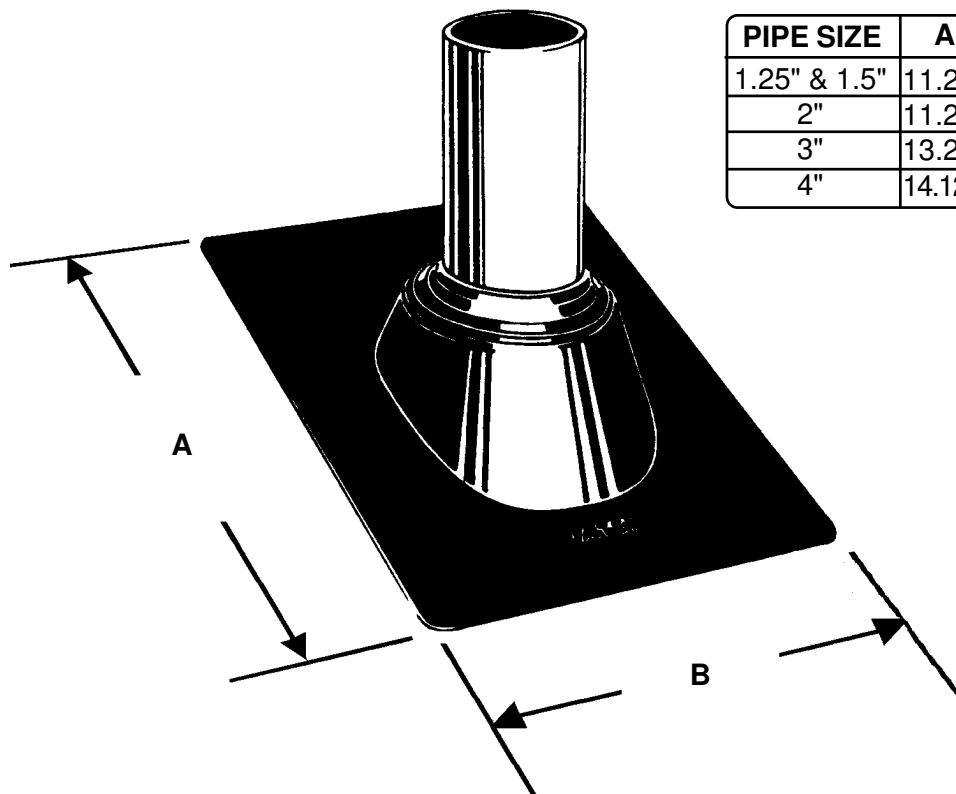


## Elastomeric Shingle Flashing

### SPECIFICATION

Furnish and install Portals Plus Elastomeric Shingle Flashings as manufactured by Portals Plus, Inc., Bensenville, IL, at all round penetrations from 1.25" through 4", occurring in shingle roofing systems under 45° slope or as shown on drawings.

The Shingle Flashing shall consist of a molded one piece elastomeric boot. The Shingle Flashing boot shall be resistant to ozone, ultraviolet degradation, and temperature extremes. All Shingle Flashing boots shall be listed by UPC, SBC, and BOCA. Shingle Flashing boot shall be installed in accordance with the shingle manufacturer's recommendations.



PIPE SIZE	A	B
1.25" & 1.5"	11.25"	8.875"
2"	11.25"	8.875"
3"	13.25"	10"
4"	14.125"	11.5"