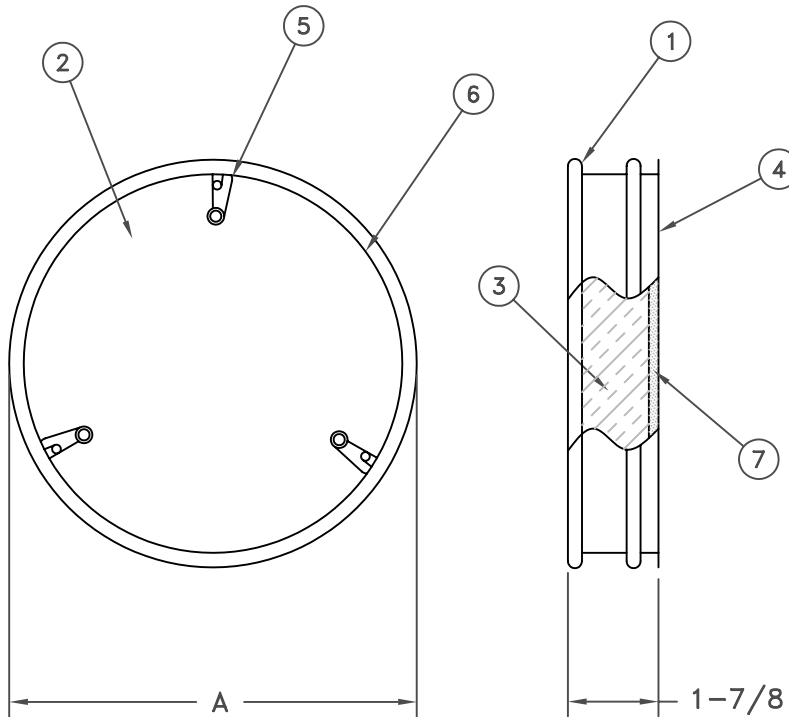


# WARD ACCESS DOOR

## Spin In Style Access Door

For Flat Single Wall Ductwork

DSP



### SPECIFICATIONS:

1. Frame formed from 22 GA metal
2. Door formed from 24 GA metal
3. Fiberglass insulation
4. Spin flange
5. Latch
6. Latch groove
7. Closed cell neoprene gasket

### NOTES:

1. Available in galvanized steel. Contact factory for availability of other materials.
2. Available for single wall duct applications.
3. Insulation R-value of 3 (estimate).
4. Tested to 20" S.P. with minimal leakage.
5. Reference chart for sizes.

DOOR SIZE A	MINIMUM HOLE CUT SIZE *
8	7-1/8
10	9-1/8
12	11-1/8
18	17-1/8
24	23-1/8

\* TOLERANCE +1/32

JOB NAME: _____	SUBMITTED BY: _____
LOCATION: _____	
ARCHITECT: _____	
ENGINEER: _____	
CONTRACTOR: _____	



500 E. Eighth Street • Holland, MI 49423  
 T (800) 466-9374 • F (866) 466-9335 • www.wardind.com