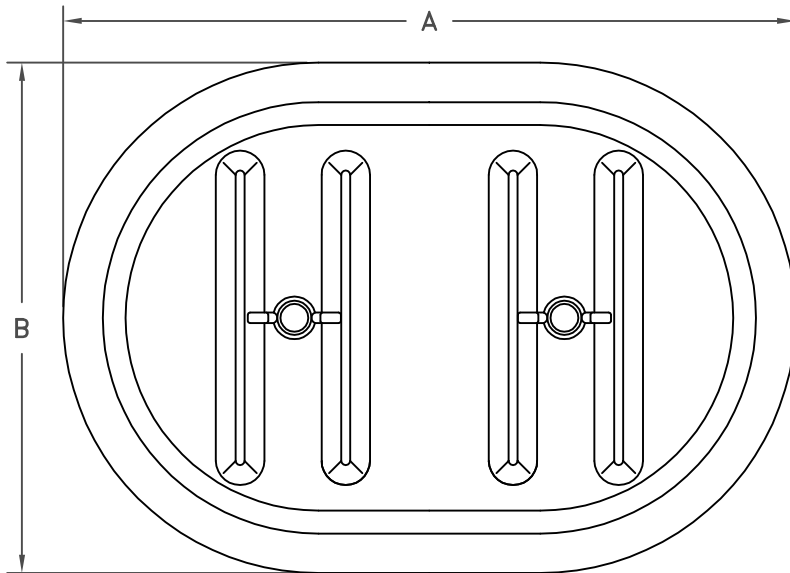


WARD ACCESS DOOR

Compression Style Access Door
For Round High Temperature Single Wall Ductwork

DSA HT

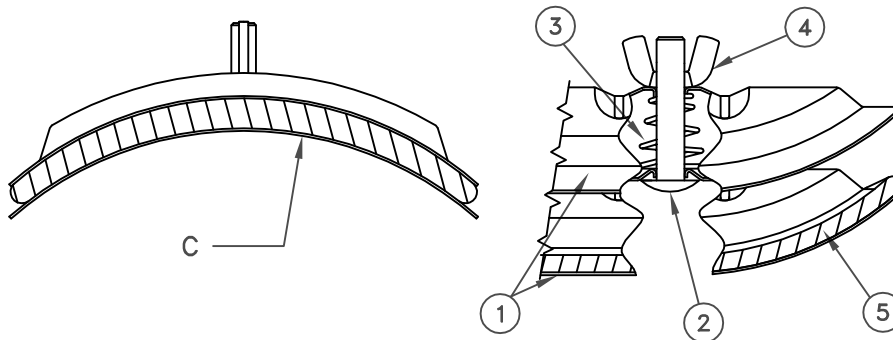


SPECIFICATIONS:

1. Formed 16 gauge metal plates
2. Steel bolt
3. Steel compression springs
4. Steel wing nut
5. High temperature ceramic fiber rope gasket

NOTES:

1. Available in black iron. Contact factory for availability of other materials.
2. For applications up to 2000° F.
3. Self adhesive template included for accurate cut-out.
4. Reference chart for sizes.



DOOR SIZES AVAILABLE			
10 X 6		16 X 12	
A	B	A	B
10.40	7.25	16.38	12.56
C		C	
5 - 30		12 - 60	

JOB NAME: _____	SUBMITTED BY: _____
LOCATION: _____	
ARCHITECT: _____	
ENGINEER: _____	
CONTRACTOR: _____	



484 Thomas Drive • Bensenville, IL. 60106 • (630) 595-7320 • 1-800-624-8642
FAX (630) 766-5259 • www.commercialproductsgroup.com