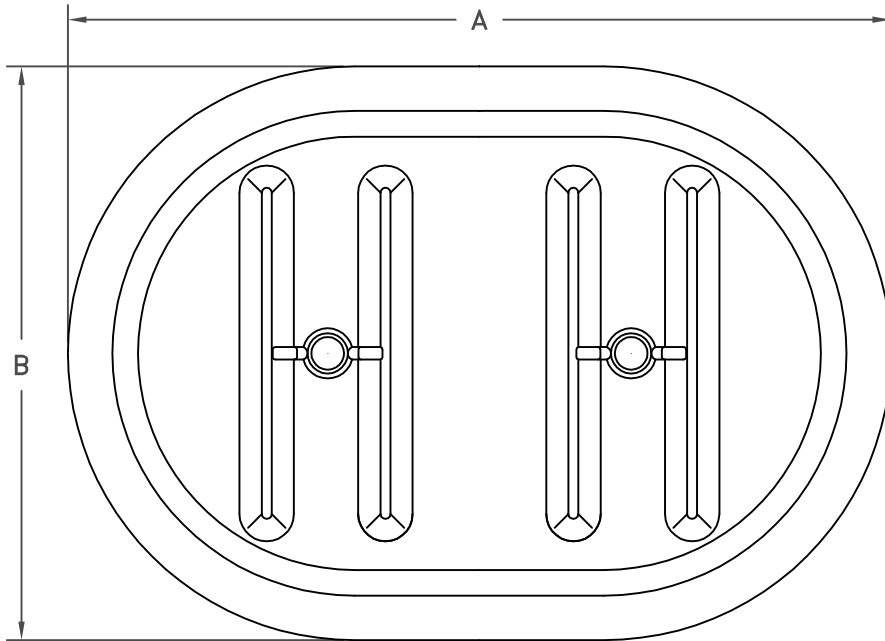


WARD ACCESS DOOR

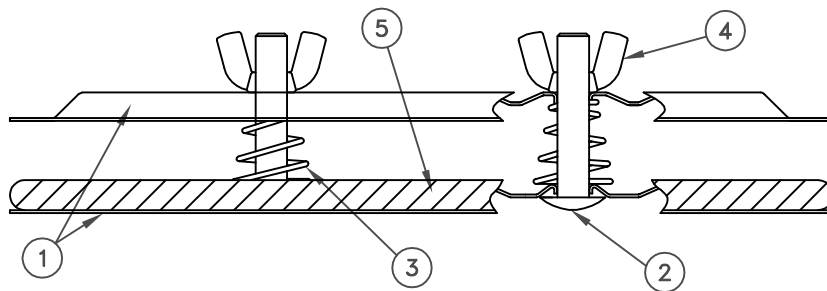
For Flat High Temperature Single Wall Ductwork

DSA HT



SPECIFICATIONS:

1. Formed 16 gauge metal plates
2. Steel bolt
3. Steel compression springs
4. Steel wing nut
5. High temperature ceramic fiber rope gasket



NOTES:

1. Available in black iron. Contact factory for availability of other materials.
3. For applications up to 2000° F.
4. Self adhesive template included for accurate cut-out.
5. See chart for sizes.

DOOR SIZES AVAILABLE			
10 X 6		16 X 12	
A	B	A	B
10.40	7.25	16.38	12.56

JOB NAME: _____ LOCATION: _____ ARCHITECT: _____ ENGINEER: _____ CONTRACTOR: _____	SUBMITTED BY: _____
--	---------------------------------



484 Thomas Drive • Bensenville, IL. 60106 • (630) 595-7320 • 1-800-624-8642
 FAX (630) 766-5259 • www.commercialproductsgroup.com