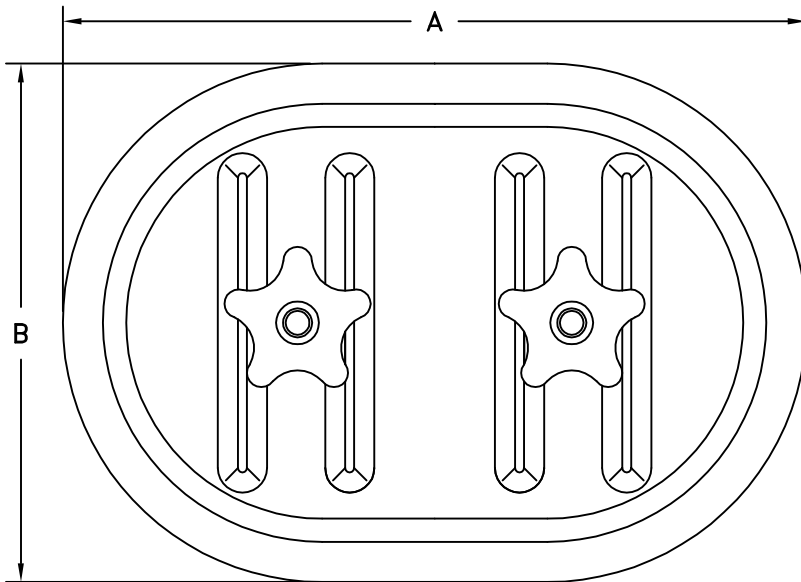


# WARD ACCESS DOOR

## Sandwich Style Access Door

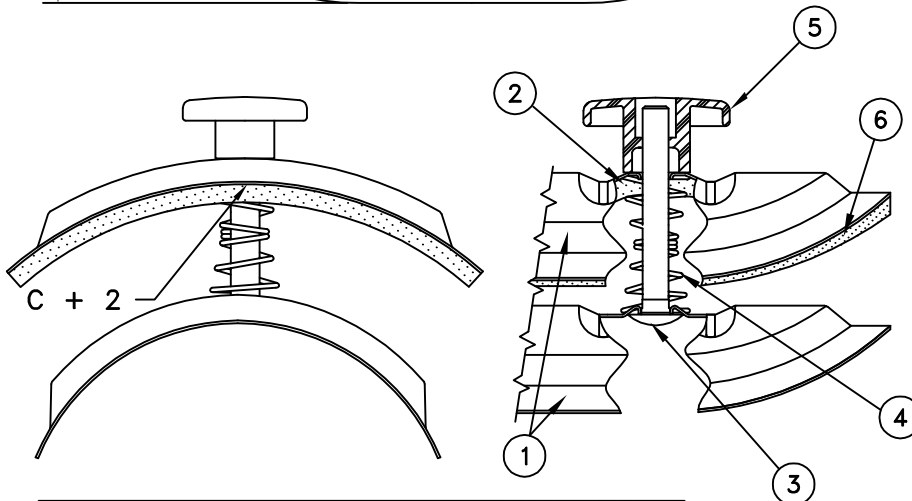
For Round Double Wall Ductwork

DSA DW



### SPECIFICATIONS:

1. Formed 20 gauge metal plates
2. Polyfoam insulation
3. Steel bolt
4. Steel compression springs
5. Polypropylene knobs with metal inserts
6. Closed cell neoprene gasket



### NOTES:

1. Available in the following materials:
  - Galvanized
  - Stainless Steel
  - Aluminum
 Contact factory for availability of other materials.
2. Inner plate is 2" smaller in diameter than outer plate.
3. Bolt length is increased for easy installation.
4. Self adhesive template included for accurate cut-out.
5. Reference chart for sizes.

DOOR SIZES AVAILABLE

8 X 4		10 X 6		16 X 12	
A	B	A	B	A	B
8.53	VARIABLE	10.40	VARIABLE	16.38	VARIABLE
C		C		C	
6 - 28		5 - 30		12 - 60	

JOB NAME: \_\_\_\_\_  
 LOCATION: \_\_\_\_\_  
 ARCHITECT: \_\_\_\_\_  
 ENGINEER: \_\_\_\_\_  
 CONTRACTOR: \_\_\_\_\_

SUBMITTED BY: \_\_\_\_\_



484 N. Thomas Drive • Bensenville, IL. 60106  
 T (800) 624-8642 • F (630) 766-5259 • www.wardind.com