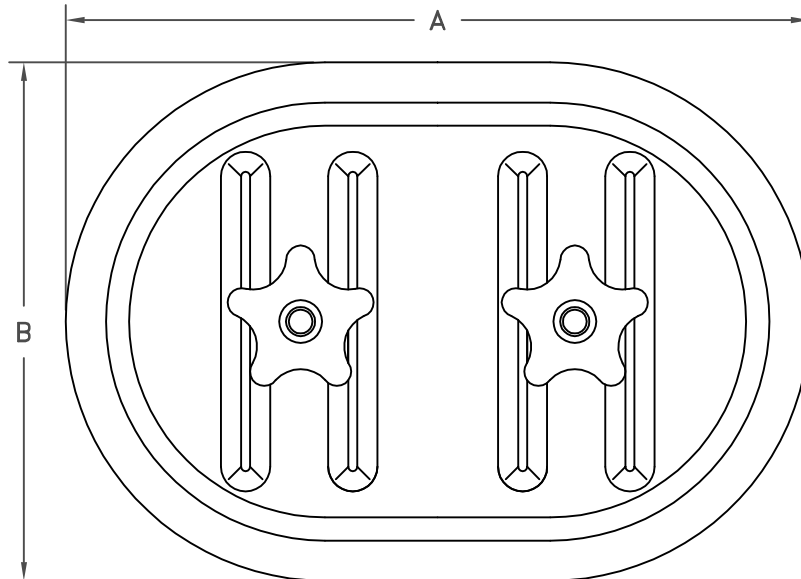


# WARD ACCESS DOOR

## Sandwich Style Access Door

For Round Single Wall Ductwork

DSA

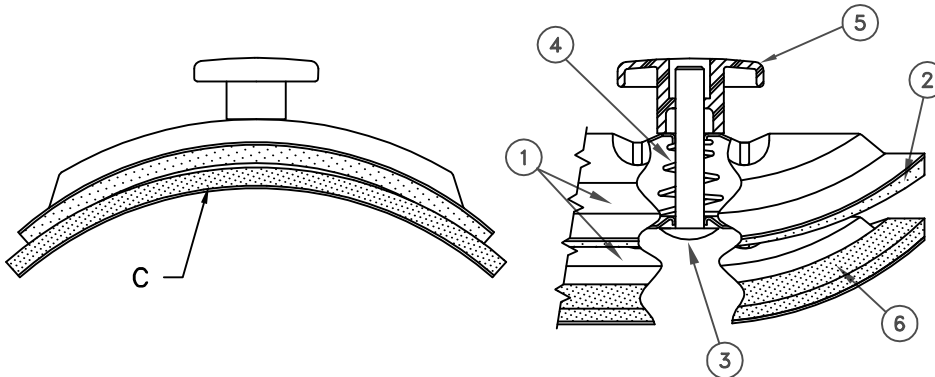


### SPECIFICATIONS:

1. Formed 20 gauge metal plates
2. Polyfoam insulation
3. Steel bolt
4. Steel compression springs
5. Polypropylene knobs with threaded metal inserts
6. Closed cell neoprene gasket

### NOTES:

1. 10x6 and 16x12 are available in the following materials:
  - Galvanized
  - Stainless Steel
  - Aluminum
2. 8x4 is available in Galvanized
3. Contact factory for availability of other materials.
4. Self adhesive template included for accurate cut-out.
5. Tested to 20" S.P. with minimal leakage.
6. Reference chart for sizes.



DOOR SIZES AVAILABLE					
8 X 4		10 X 6		16 X 12	
A	B	A	B	A	B
8.53	VARIABLE	10.40	VARIABLE	16.38	VARIABLE
C		C		C	
4 - 28		5 - 30		12 - 60	

JOB NAME: _____ LOCATION: _____ ARCHITECT: _____ ENGINEER: _____ CONTRACTOR: _____	SUBMITTED BY: _____   
--	---------------------------------



5030 Corporate Exchange Blvd. SE • Grand Rapids, MI 49512  
 T (800) 624-8642 • F (800) 972-1421 • www.commercialproductsgroup.com