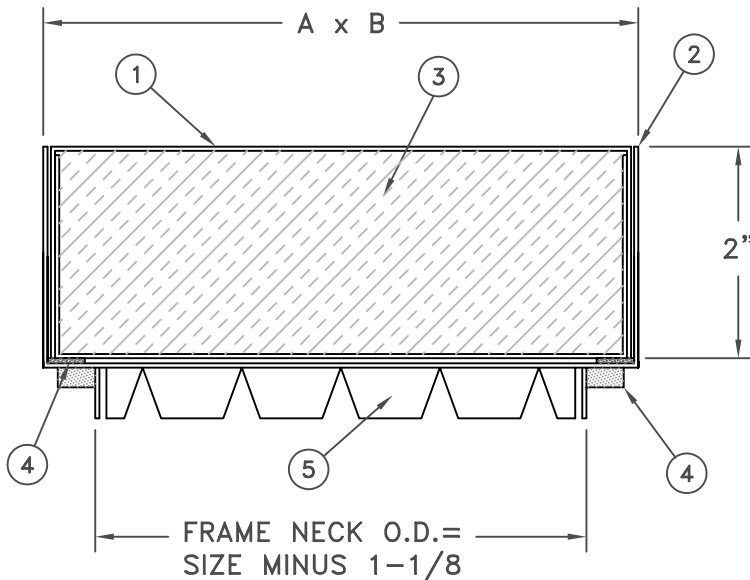


# WARD ACCESS DOOR

## Cam and Hinge Access Doors

For Flat Single Wall Ductwork

DCM DP  
DHG DP



### SPECIFICATIONS:

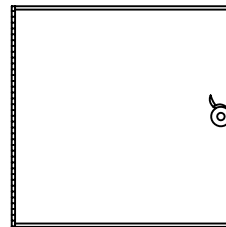
1. Formed 24 gauge metal door
2. Formed 22 gauge metal frame
3. Fiberglass insulation
4. Polyester foam gasket
5. Preformed dovetail tabs

### NOTES:

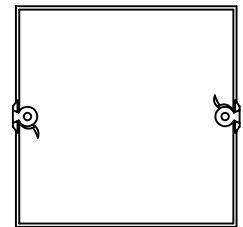
1. Available in galvanized steel. Contact factory for availability of other materials.
2. Available for single wall duct applications.
3. Insulation R-value of 6 (estimate).
4. Tested to 4.5" S.P. with minimal leakage.
5. Reference chart for sizes.

### STANDARD SIZES

| SIZE  | WIDTH<br>A | HEIGHT<br>B | FRAME<br>NECK O.D. | CAMS<br>DCM | CAMS<br>DHG |
|-------|------------|-------------|--------------------|-------------|-------------|
| 6x6   | 6          | 6           | 4-7/8 x 4-7/8      | 2           | 1           |
| 8x8   | 8          | 8           | 6-7/8 x 6-7/8      | 2           | 1           |
| 10x10 | 10         | 10          | 8-7/8 x 8-7/8      | 2           | 1           |
| 12x12 | 12         | 12          | 10-7/8 x 10-7/8    | 2           | 1           |
| 14x14 | 14         | 14          | 12-7/8 x 12-7/8    | 2           | 1           |
| 16x16 | 16         | 16          | 14-7/8 x 14-7/8    | 4           | 2           |
| 18x18 | 18         | 18          | 16-7/8 x 16-7/8    | 4           | 2           |
| 20x20 | 20         | 20          | 18-7/8 x 18-7/8    | 4           | 2           |
| 24x24 | 24         | 24          | 22-7/8 x 22-7/8    | 4           | 2           |



**MODEL DHG DP**  
HINGE AND CAM



**MODEL DCM DP**  
DUAL CAMS

JOB NAME: \_\_\_\_\_  
 LOCATION: \_\_\_\_\_  
 ARCHITECT: \_\_\_\_\_  
 ENGINEER: \_\_\_\_\_  
 CONTRACTOR: \_\_\_\_\_

SUBMITTED BY: \_\_\_\_\_



500 E. Eighth Street • Holland, MI 49423  
 T (800) 466-9374 • F (866) 466-9335 • www.wardind.com