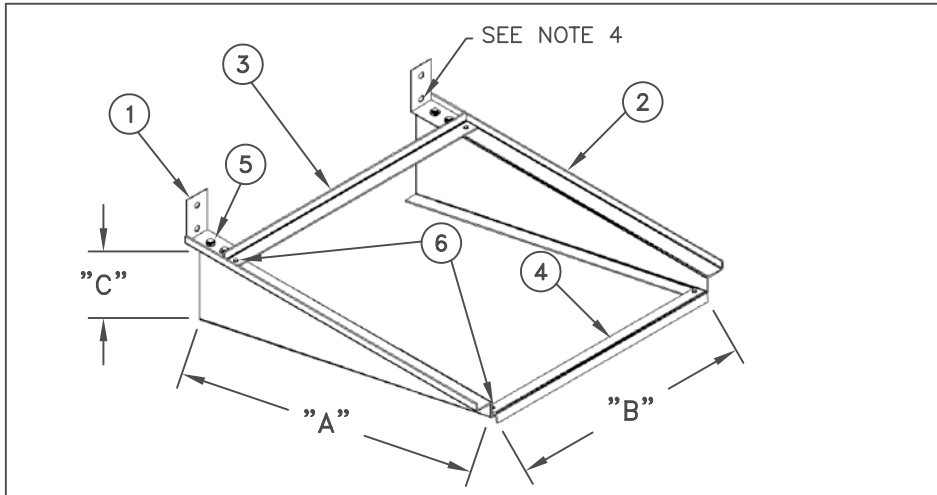


WARD AC BRACKET

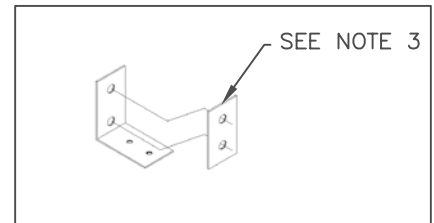
Air Conditioner Support
For Cantelivered Support Off The Side of a Building

AC



SPECIFICATIONS:

1. (2) 10 GA Mounting Brackets
2. (2) 16 GA Angle Brackets
3. Top Cross Support
4. Front Cross Support
5. (4) 5/8" Dia. Bolts w/ (8) Washers and (4) Locking Nuts
6. (8) #14 Tec Screws



Description	"A"	"B"	"C"	Unit Weight	Max Load
36" AC Bracket	36"	30"	13.75"	17 lbs	500 lbs
45" AC Bracket	45"	36"	15.50"	22 lbs	500 lbs
55" AC Bracket	55"	48"	17.75"	25 lbs	500 lbs

NOTES:

1. All sheet metal components are galvanized with a G90 coating thickness.
2. Items 3 and 4 can be cut to width to match AC unit size.
3. Rectangular Washer to be used on 45" and 55" sizes.
4. Connection of bracket to building by others.
5. See chart for sizes and max loads.

JOB NAME: _____ LOCATION: _____ ARCHITECT: _____ ENGINEER: _____	SUBMITTED BY: _____
---	---------------------------------

