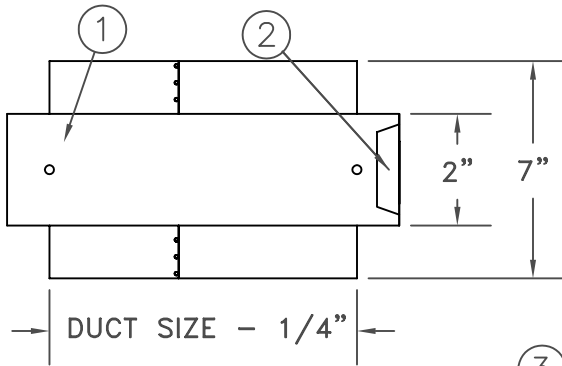


WARD FIRE DAMPER

Thinline Curtain Style Fire Damper

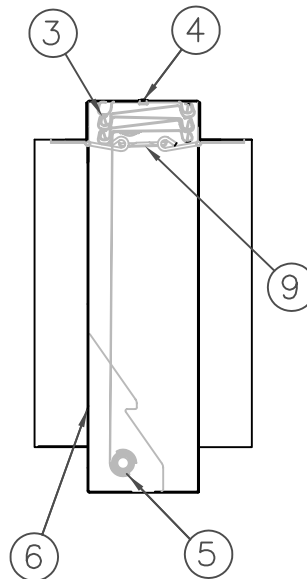
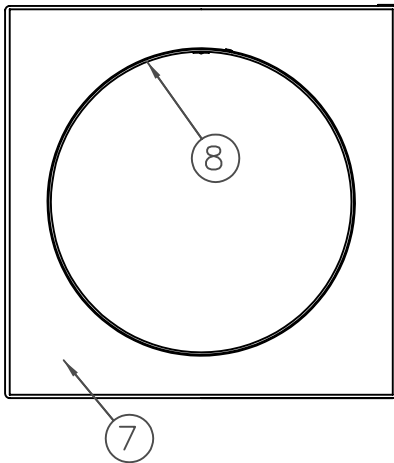
1 1/2 HOUR U.L. LABELED FOR USE IN 2 HOUR FIRE SEPARATIONS OR LESS

85VC
85HC



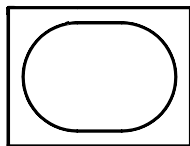
SPECIFICATIONS:

1. Rollformed 22 gauge steel frame
2. Self locking corner
3. Interlocking 22 gauge steel blade
4. Top blade riveted to frame
5. Stainless steel closure spring (HC)
6. Blade lock ramp (HC)
7. Escutcheon plate
8. Collar (round, oval, or rectangular)
9. Fusible link
 - 165° - Standard
 - 212° - Optional
 - 286° - Optional

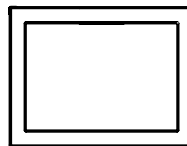


NOTES:

1. Tested to UL 555: File R16475.
2. Meets requirements of NFPA 90A.
3. Listed with California State Fire Marshal: Listing #3225-1577:100.
4. Vertical (VC) or horizontal (HC) models.
5. Maximum single unit size:
Vertical: 39"x29" or 34"x49"
Horizontal: 39" x 29"
6. Galvanized steel construction.
7. Reference 85/95 Series sizing chart for damper sizing (separate).
8. For installation instructions see 85 Series Installation Instructions.



Type CO



Type CR

JOB NAME: _____
 LOCATION: _____
 ARCHITECT: _____
 ENGINEER: _____
 CONTRACTOR: _____

SUBMITTED BY: _____



500 E. Eighth Street • Holland, MI 49423
 T (800) 466-9374 • F (866) 466-9335 • www.wardind.com