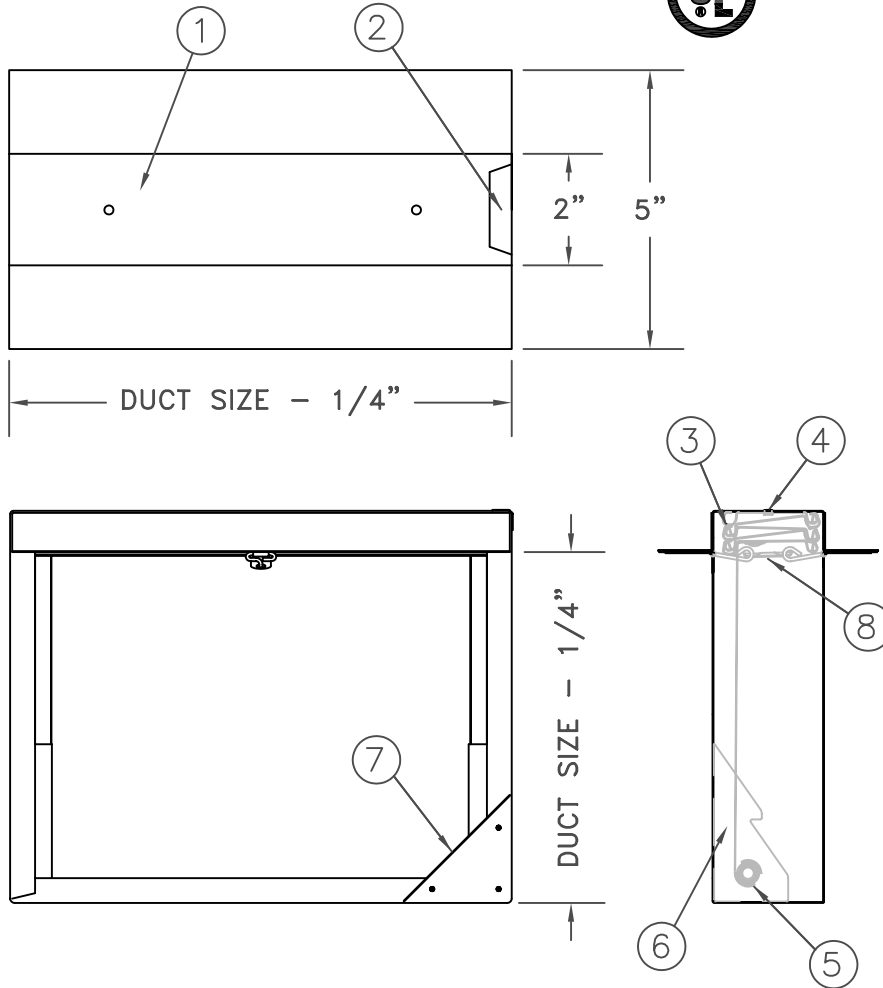


# WARD FIRE DAMPER

## Thinline Curtain Style Fire Damper

1 1/2 HOUR U.L. LABELED FOR USE IN 2 HOUR FIRE SEPARATIONS OR LESS

**85VB**  
**85HB**



### SPECIFICATIONS:

1. Rollformed 22 gauge steel frame
2. Self locking corner
3. Interlocking 22 gauge steel blade
4. Top blade riveted to frame
5. Stainless steel closure spring (HB)
6. Blade lock ramp (HB)
7. Gusset (for units greater than 48")
8. Fusible link
  - 165° - Standard
  - 212° - Optional
  - 286° - Optional

### NOTES:

1. Tested to UL 555: File R16475.
2. Meets requirements of NFPA 90A.
3. Listed with California State Fire Marshal: Listing #3225-1577:100.
4. Vertical (VB) or horizontal (HB) models.
5. Maximum single unit size:  
Vertical: 41"x30" or 36"x50"  
Horizontal: 41" x 30"
6. Galvanized steel construction.
7. Reference 85/95 Series sizing chart for damper sizing (separate).
8. For installation instructions see 85 Series Installation Instructions.

JOB NAME: _____ LOCATION: _____ ARCHITECT: _____ ENGINEER: _____ CONTRACTOR: _____	SUBMITTED BY: _____   
--	---------------------------------



500 E. Eighth Street • Holland, MI 49423  
 T (800) 466-9374 • F (866) 466-9335 • www.wardind.com