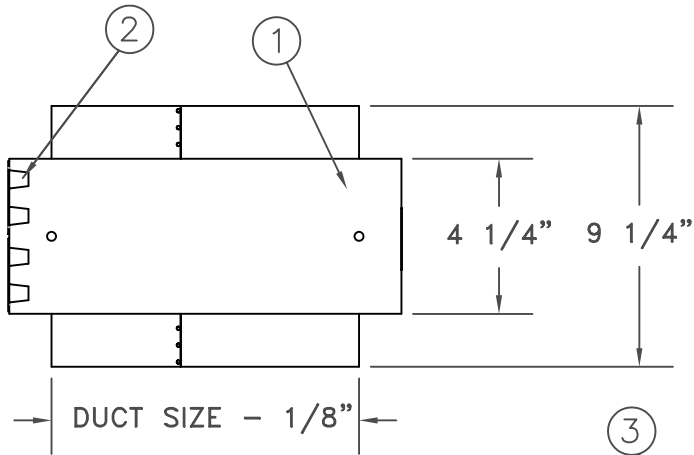


WARD FIRE DAMPER

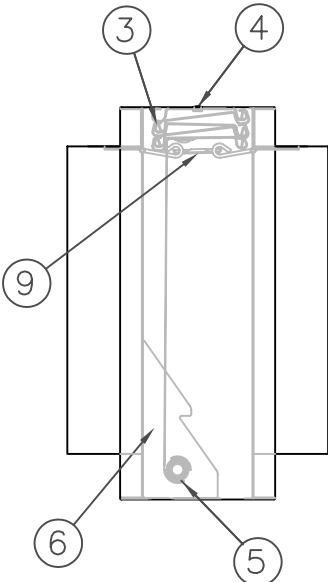
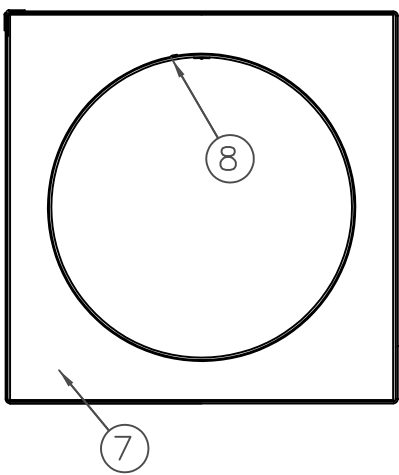
Curtain Style Fire Damper

1-1/2 HOUR U.L. LABELED FOR USE IN 2 HOUR FIRE SEPARATIONS OR LESS

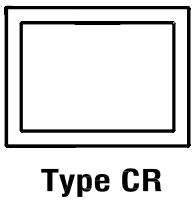
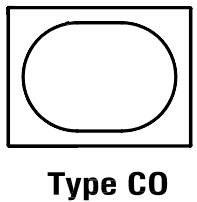
75VC
75HC



- SPECIFICATIONS:**
1. Rollformed 22 gauge steel frame
 2. Self locking corner
 3. Interlocking 22 gauge steel blade
 4. Top blade riveted to frame
 5. Stainless steel closure spring (HC)
 6. Blade lock ramp (HC)
 7. Escutcheon plate
 8. Collar (round, oval, or rectangular)
 9. Fusible link
 - 165° - Standard
 - 212° - Optional
 - 286° - Optional



- NOTES:**
1. Tested to UL 555: File R16475.
 2. Meets requirements of NFPA 90A.
 3. Listed with California State Fire Marshal: Listing #3225-1577:100.
 4. Vertical (VC) or horizontal (HC) models.
 5. Maximum single unit size:
Vertical: 58"x53"
Horizontal: 58" x 53"
 6. Standard construction is galvanized steel. Contact factory for availability of other materials.
 7. Reference 75/105 Series sizing chart for damper sizing (separate).
 8. For installation instructions see 75 Series Installation Instructions.



JOB NAME: _____	SUBMITTED BY: _____
LOCATION: _____	
ARCHITECT: _____	
ENGINEER: _____	
CONTRACTOR: _____	



500 E. Eighth Street • Holland, MI 49423
T (800) 466-9374 • F (866) 466-9335 • www.wardind.com