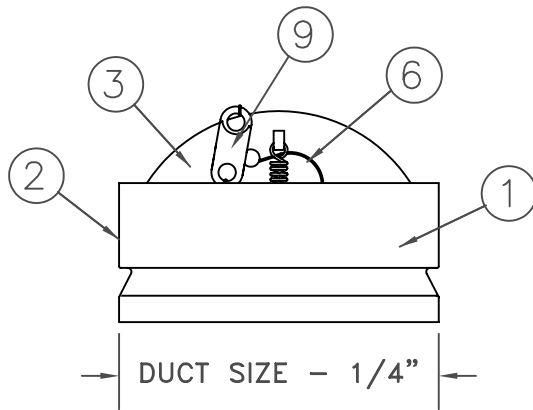


# WARD FIRE DAMPER

## Ceiling Radiation Damper

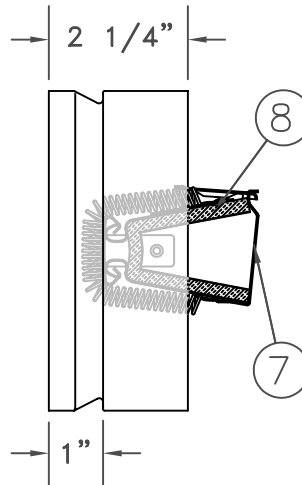
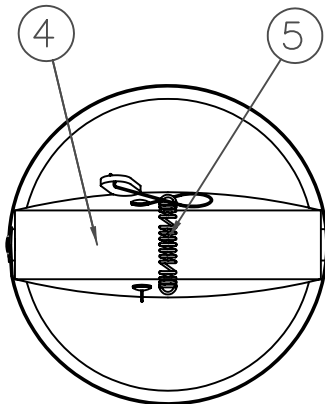
FOR USE IN 3 HOUR FIRE RATED SEPARATIONS OR LESS

55EA



### SPECIFICATIONS:

1. Rollformed 22 gauge steel frame
2. Spot welded seam
3. Rollformed 22 gauge steel blade
4. Rollformed 22 gauge steel hinge
5. Steel extension spring
6. Stainless steel link hook
7. Stainless steel link latch
8. Thermal insulation and scrim
9. Fusible link
  - 165° - Standard
  - 212° - Optional



### NOTES:

1. Tested to UL 555C: File R16579. Reference CRD-Boot submittal for further listings (separate).
2. Meets requirements of NFPA 90A.
3. Listed with California State Fire Marshal: Listing #3225-1577:101.
4. Minimum size: 4" diameter  
Maximum size: 24" diameter
5. Galvanized steel construction.
6. Two springs are used on dampers with blades greater than 14" long.
7. Insulation and scrim is required on dampers over 80 in<sup>2</sup> in area.
8. Reference 55 Series sizing chart for damper sizing (separate).
9. For installation instructions see 55 Series Installation Instructions.

JOB NAME: \_\_\_\_\_  
 LOCATION: \_\_\_\_\_  
 ARCHITECT: \_\_\_\_\_  
 ENGINEER: \_\_\_\_\_  
 CONTRACTOR: \_\_\_\_\_

SUBMITTED BY: \_\_\_\_\_



500 E. Eighth Street • Holland, MI 49423  
 T (800) 466-9374 • F (866) 466-9335 • www.wardind.com