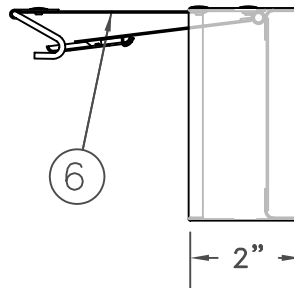
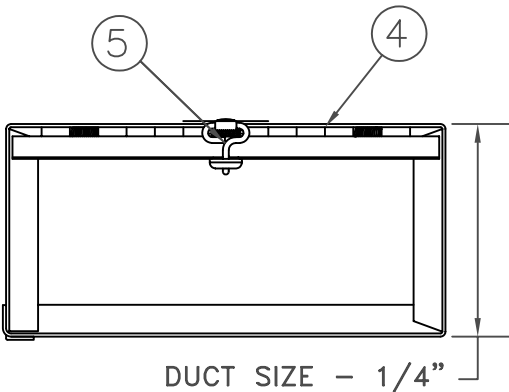
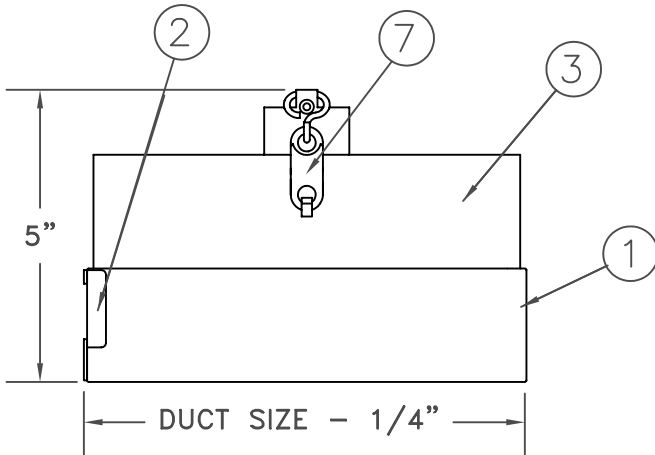


# WARD FIRE DAMPER

## Ceiling Radiation Damper

FOR USE IN 3 HOUR FIRE RATED SEPARATIONS OR LESS

50-4X



### SPECIFICATIONS:

1. Rollformed 22 gauge steel frame
2. Self locking corner
3. Formed 22 gauge steel blade
4. Stainless steel hinge spring
5. Retaining hook
6. Hook bracket
7. Fusible link
  - 165° - Standard
  - 212° - Optional

### NOTES:

1. Tested to UL 555C: File R16579. Reference CRD-Boot submittal for further listings (separate).
2. Meets requirements of NFPA 90A.
3. Listed with California State Fire Marshal: Listing #3225-1577:101.
4. Available sizes:
  - 8"x4"
  - 10"x4"
  - 12"x4"
5. Galvanized steel construction.
6. Dimensions are determined by blade length (hinge dimension), then by blade width.
7. For installation instructions see 50 Series Installation Instructions.

JOB NAME: _____ LOCATION: _____ ARCHITECT: _____ ENGINEER: _____ CONTRACTOR: _____	SUBMITTED BY: _____   
--	---------------------------------



500 E. Eighth Street • Holland, MI 49423  
 T (800) 466-9374 • F (866) 466-9335 • www.wardind.com