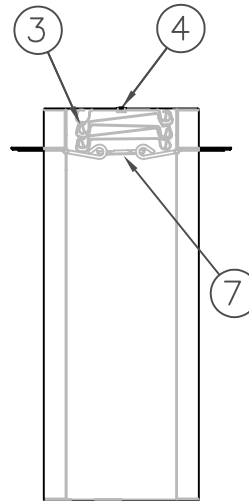
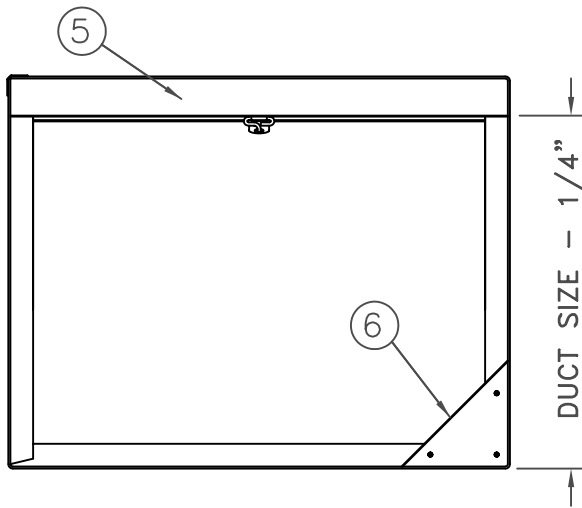
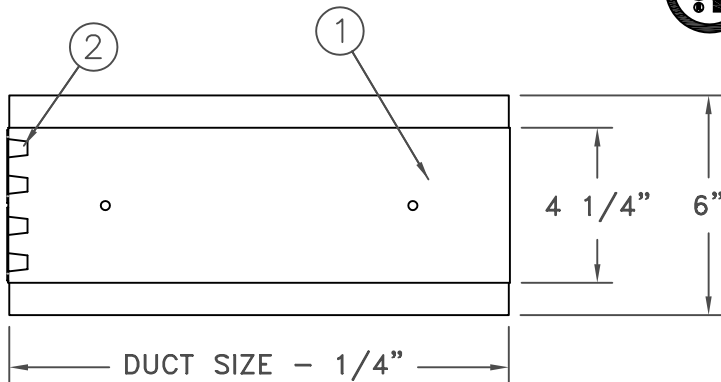


WARD FIRE DAMPER

Curtain Style Fire Damper

3 HOUR U.L. LABELED FOR USE IN 4 HOUR FIRE SEPARATIONS OR LESS

105VB



SPECIFICATIONS:

1. Rollformed 22 gauge steel frame
2. Self locking corner
3. Interlocking 22 gauge steel blade
4. Top blade riveted to frame
5. High hat section
6. Gusset (for units greater than 48")
7. Fusible link
 - 165° - Standard
 - 212° - Optional
 - Others may be available upon request

NOTES:

1. Tested to UL 555: File R16475.
2. Meets requirements of NFPA 90A.
3. Listed with California State Fire Marshal: Listing #3225-1577:102.
4. Vertical (VB) models only.
5. Maximum single unit size:
Vertical: 60"x43"
6. Galvanized steel construction.
7. Reference 75/105 Series sizing chart for damper sizing (separate).
8. For installation instructions see 105 Series Installation Instructions.

JOB NAME: _____ LOCATION: _____ ARCHITECT: _____ ENGINEER: _____ CONTRACTOR: _____	SUBMITTED BY: _____
--	---------------------------------



500 E. Eighth Street • Holland, MI 49423
 T (800) 466-9374 • F (866) 466-9335 • www.wardind.com