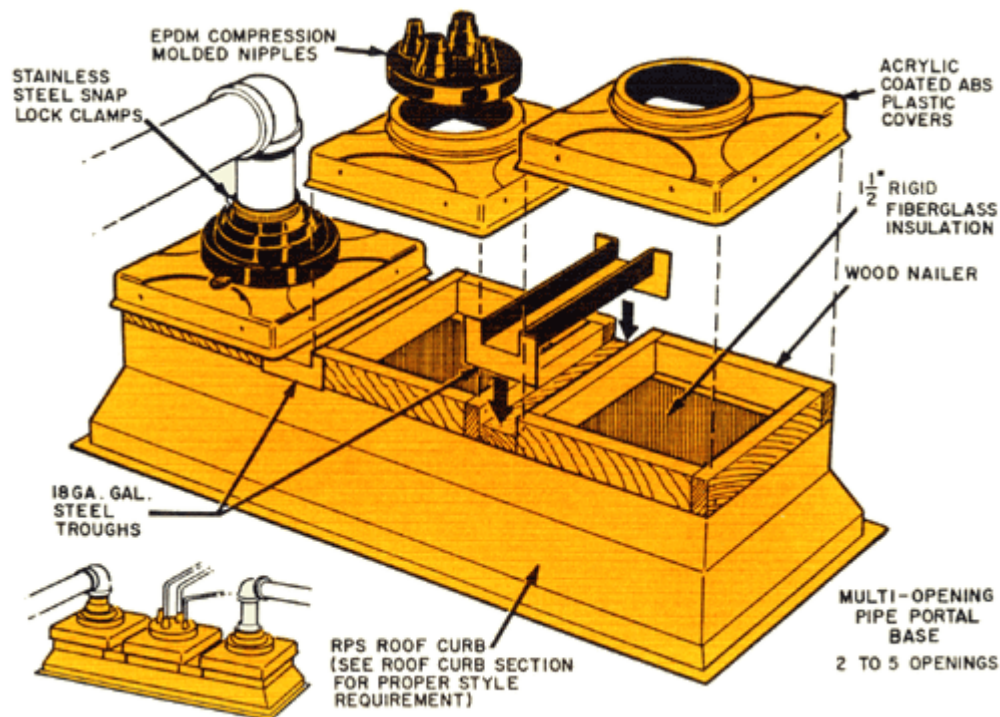




PIPE PORTAL® PIPE FLASHING SYSTEM- MULTIPLE OPENINGS 2 THROUGH 5

A versatile, leak-proof, and weathertight solution to routing pipes through the roof. The RPS Pipe Portal® System is designed to allow for both vertical and horizontal pipe movement, yet provide a maintenance-free permanent installation which accommodates pipe sizes of 3/8" up to 12". The curb cover is molded of durable ABS plastic (Acrylonitrile Butadiene Styrene) with a laminated acrylic coating, which gives high resistance to both ozone and ultraviolet sun rays, as well as a serviceable temperature range of -40°F to +160°F. The molded sealing ring on the collared opening and the corresponding groove in the rubber cap assures a weathertight pressure and mechanical lock. The protective rubber caps are compression molded of EPDM rubber with a serviceable temperature range of -60°F to +250°F and also have high resistance to both ozone and ultraviolet sun rays. The conically-shaped steps of the nipple provide a taut waterproof seal around the pipe and the stainless steel snaplock swivel clamp(s) provided give added protection to guarantee the pipe seal. The swivel action of the clamp cuts installation time by 75%.



SPECIFICATION

Furnish and install Pipe Portal® Systems as manufactured by Roof Products & Systems Corporation at all locations where pipes 12" or less penetrate the roof system as shown on drawings.

Each Pipe Portal® shall include an RPS insulated, prefabricated roof curb, a laminated acrylic coated ABS plastic cover with pre-punched mounting holes and molded sealing ring on the collared opening, and an EPDM compression molded rubber cap. Use N28 cap for up to two- 3/8" through 1" pipes and for up to two- 1" through 2" pipes; use N18 cap for up to four- 3/8" through 1" pipes; use N21 cap for up to four- 1" through 2" pipes; use N62 cap for one- 2" through 6" pipe; and use N182 cap for one- 8" through 12" pipe. Each EPDM rubber cap shall include one stainless steel snaplock swivel clamp per nipple.

[CAD Drawing](#)

[PIPE PORTAL® SYSTEM SUBMITTAL SHEET- MULTIPLE](#)

[PIPE PORTAL SYSTEM](#) [SPECIAL PIPE PORTAL SYSTEM](#) [ALUMI-FLASH](#) [DECK-MATE](#)

[EPDM CAP INSTALLATION TECHNIQUES](#)

ROOF PRODUCTS & SYSTEMS • 815 KIMBERLY DRIVE • CAROL STREAM, IL 60188 • TEL: (800) 624-8642 • FAX: (866) 466-9335

All information is subject to change without notice. Dimensions and specifications shown are within manufacturing tolerances.
© Copyright Commercial Products Group of Hart & Cooley, Inc., November 2007. All Rights Reserved.