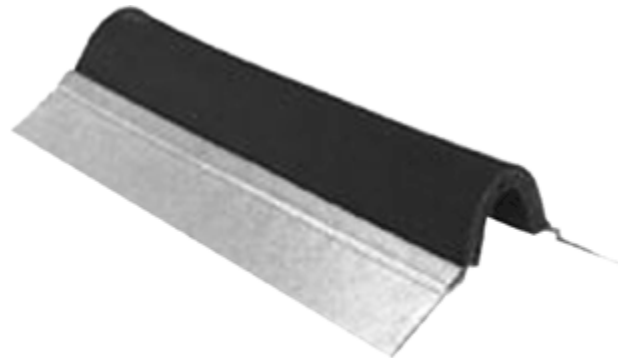




Expansion Joint Covers

Technical Product Information

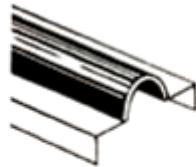
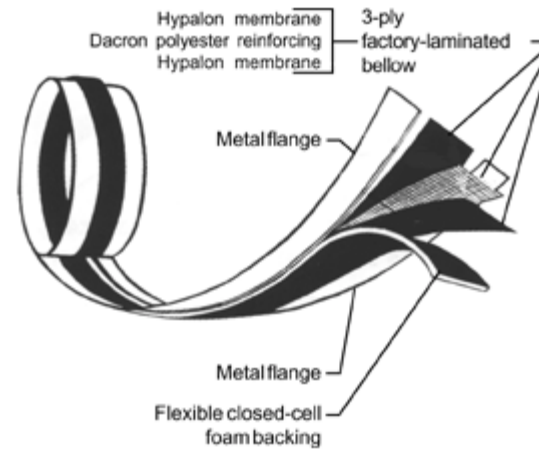
The solution for sealing building joints



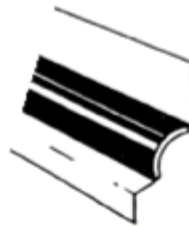
Expansion Joint Cover

Straight Flange

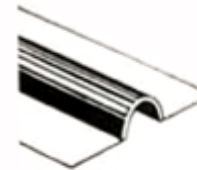
Expansion Joint Covers are factory-manufactured flexible, weatherproof, exterior covers for structural expansion joint openings, and are effective, closures for a wide variety of special applications. Manufactured of a unique 3-ply flexible reinforced Hypalon bellow supported by a durable closed cell foam, which allows for anticipated movement in the structure, and metal mounting flanges factory locked to each edge of the bellow. Expansion Joint Covers with reinforced Hypalon bellow withstand the most extreme chemical and weather conditions without leakage. Factory-manufactured fitting accessories (corners, tees, end terminations, and crossover intersections) are designed for maximum flexibility and are produced using special techniques to ensure clean seam lines and watertight applications. Field seams are easily accomplished with standard splice kits. For use with all types of roofing- asphalt, coal tar bitumen, modified bitumen, EPDM, TPO, PVC, Hypalon, and most others. Replaces easily torn non-reinforced EPDM and Neoprene covers and easily damaged, bent, and leaky metal covers.



CURB FLANGE
For factory manufactured curb systems
or field installed wood curbs



**COMBINATION
CURB & STRAIGHT FLANGE**
For factory manufactured curb systems or
field installed wood curbs along walls



STRAIGHT FLANGE
For low profile installations

Bellow available in the following standard widths- 4", 5", 6", 8", 10", and 12" (10" & 12" special order only)

Flanges available in the following standard materials- Galvanized Steel, Aluminum, Stainless Steel, and Copper

Call Customer Service For Price

CURB FLANGE			
NEW UPC PART NUMBER	DESCRIPTION	QTY/CTN	LIST PRICE PER UNIT
95009	GALVANIZED FLANGES w/4" Hypalon Bellow	10	
95109	GALVANIZED FLANGES w/5" Hypalon Bellow	10	
95209	GALVANIZED FLANGES w/6" Hypalon Bellow	10	
95309	GALVANIZED FLANGES w/8" Hypalon Bellow	10	
95005	GALVANIZED FLANGES w/10" Hypalon Bellow	5	

Call Customer Service For Price

NEW UPC PART NUMBER	DESCRIPTION	QTY/CTN	LIST PRICE PER UNIT
95105	GALVANIZED FLANGES w/12" Hypalon Bellow	5	
95409	ALUMINUM FLANGES w/4" Hypalon Bellow	10	
95509	ALUMINUM FLANGES w/5" Hypalon Bellow	10	
95609	ALUMINUM FLANGES w/6" Hypalon Bellow	10	
95709	ALUMINUM FLANGES w/8" Hypalon Bellow	10	
95205	ALUMINUM FLANGES w/10" Hypalon Bellow	5	
95305	ALUMINUM FLANGES w/12" Hypalon Bellow	5	
NEW UPC PART NUMBER	DESCRIPTION	QTY/CTN	LIST PRICE PER UNIT
95809	STAINLESS FLANGES w/4" Hypalon Bellow	10	
95909	STAINLESS FLANGES w/5" Hypalon Bellow	10	
95119	STAINLESS FLANGES w/6" Hypalon Bellow	10	
95129	STAINLESS FLANGES w/8" Hypalon Bellow	10	
95405	STAINLESS FLANGES w/10" Hypalon Bellow	5	
95505	STAINLESS FLANGES w/12" Hypalon Bellow	5	
NEW UPC PART NUMBER	DESCRIPTION	QTY/CTN	LIST PRICE PER UNIT
95139	COPPER FLANGES w/4" Hypalon Bellow	10	
95149	COPPER FLANGES w/5" Hypalon Bellow	10	
95159	COPPER FLANGES w/6" Hypalon Bellow	10	
95169	COPPER FLANGES w/8" Hypalon Bellow	10	
95605	COPPER FLANGES w/10" Hypalon Bellow	5	
95705	COPPER FLANGES w/12" Hypalon Bellow	5	

STRAIGHT FLANGE			
NEW UPC PART NUMBER	DESCRIPTION	QTY/CTN	LIST PRICE PER UNIT
95805	GALVANIZED FLANGES w/4" Hypalon Bellow	1	
95905	GALVANIZED FLANGES w/5" Hypalon Bellow	1	
95115	GALVANIZED FLANGES w/6" Hypalon Bellow	1	
95125	GALVANIZED FLANGES w/8" Hypalon Bellow	1	
95135	GALVANIZED FLANGES w/10" Hypalon Bellow	5	
95145	GALVANIZED FLANGES w/12" Hypalon Bellow	5	
NEW UPC PART NUMBER	DESCRIPTION	QTY/CTN	LIST PRICE PER UNIT
95179	ALUMINUM FLANGES w/4" Hypalon Bellow	10	
95189	ALUMINUM FLANGES w/5" Hypalon Bellow	10	
95199	ALUMINUM FLANGES w/6" Hypalon Bellow	10	

Call Customer Service For Price

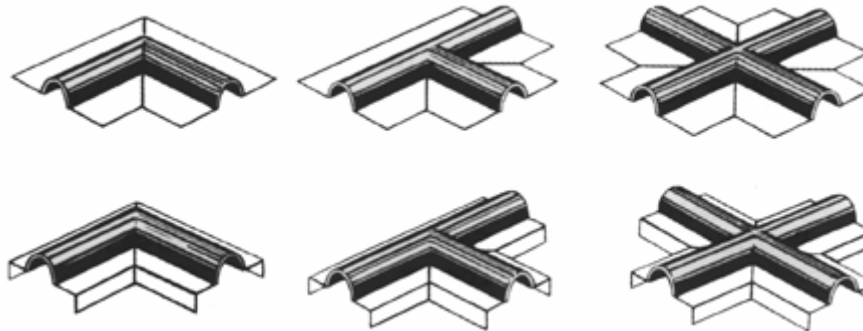
95219	ALUMINUM FLANGES w/8" Hypalon Bellow	10	
95155	ALUMINUM FLANGES w/10" Hypalon Bellow	5	
95165	ALUMINUM FLANGES w/12" Hypalon Bellow	5	
NEW UPC PART NUMBER	DESCRIPTION	QTY/CTN	LIST PRICE PER UNIT
95175	STAINLESS FLANGES w/4" Hypalon Bellow	1	
95185	STAINLESS FLANGES w/5" Hypalon Bellow	1	
95195	STAINLESS FLANGES w/6" Hypalon Bellow	1	
95215	STAINLESS FLANGES w/8" Hypalon Bellow	1	
95225	STAINLESS FLANGES w/10" Hypalon Bellow	5	
95235	STAINLESS FLANGES w/12" Hypalon Bellow	5	
NEW UPC PART NUMBER	DESCRIPTION	QTY/CTN	LIST PRICE PER UNIT
95245	COPPER FLANGES w/4" Hypalon Bellow	1	
95255	COPPER FLANGES w/5" Hypalon Bellow	1	
95265	COPPER FLANGES w/6" Hypalon Bellow	1	
95275	COPPER FLANGES w/8" Hypalon Bellow	1	
95285	COPPER FLANGES w/10" Hypalon Bellow	5	
95295	COPPER FLANGES w/12" Hypalon Bellow	5	

COMBINATION FLANGE			
NEW UPC PART NUMBER	DESCRIPTION	QTY/CTN	LIST PRICE PER UNIT
95319	GALVANIZED FLANGES w/4" Hypalon Bellow	10	
95419	GALVANIZED FLANGES w/5" Hypalon Bellow	10	
95519	GALVANIZED FLANGES w/6" Hypalon Bellow	10	
95619	GALVANIZED FLANGES w/8" Hypalon Bellow	10	
95315	GALVANIZED FLANGES w/10" Hypalon Bellow	5	
95415	GALVANIZED FLANGES w/12" Hypalon Bellow	5	
NEW UPC PART NUMBER	DESCRIPTION	QTY/CTN	LIST PRICE PER UNIT
95719	ALUMINUM FLANGES w/4" Hypalon Bellow	10	
95819	ALUMINUM FLANGES w/5" Hypalon Bellow	10	
95919	ALUMINUM FLANGES w/6" Hypalon Bellow	10	
95229	ALUMINUM FLANGES w/8" Hypalon Bellow	10	
95515	ALUMINUM FLANGES w/10" Hypalon Bellow	5	
95615	ALUMINUM FLANGES w/12" Hypalon Bellow	5	
NEW UPC PART NUMBER	DESCRIPTION	QTY/CTN	LIST PRICE PER UNIT
95239	STAINLESS FLANGES w/4" Hypalon Bellow	10	

Call Customer Service For Price

95249	STAINLESS FLANGES w/5" Hypalon Bellow	10	
95259	STAINLESS FLANGES w/6" Hypalon Bellow	10	
95269	STAINLESS FLANGES w/8" Hypalon Bellow	10	
95715	STAINLESS FLANGES w/10" Hypalon Bellow	5	
95815	STAINLESS FLANGES w/12" Hypalon Bellow	5	
NEW UPC PART NUMBER	DESCRIPTION	QTY/CTN	LIST PRICE PER UNIT
95279	COPPER FLANGES w/4" Hypalon Bellow	10	
95289	COPPER FLANGES w/5" Hypalon Bellow	10	
95299	COPPER FLANGES w/6" Hypalon Bellow	10	
95329	COPPER FLANGES w/8" Hypalon Bellow	10	
95915	COPPER FLANGES w/10" Hypalon Bellow	5	
95925	COPPER FLANGES w/12" Hypalon Bellow	5	

**FITTINGS AVAILABLE FOR CORNERS, CROSSOVERS, TEES, ETC.
CALL PORTALS PLUS FOR AVAILABILITY**



[Why do I need Expansion Joints and Covers?](#)

[Where should Expansion Joints and Covers be provided?](#)

[CAD Page](#)

PORTALS PLUS 815 Kimberly Drive, Carol Stream, IL 60188

TEL: (800) 624-8642 FAX: (866) 466-9335

All information is subject to change without notice. Dimensions and specifications shown are within manufacturing tolerances.
© Copyright Commercial Products Group of Hart & Cooley, Inc., January, 2009. All Rights Reserved.

