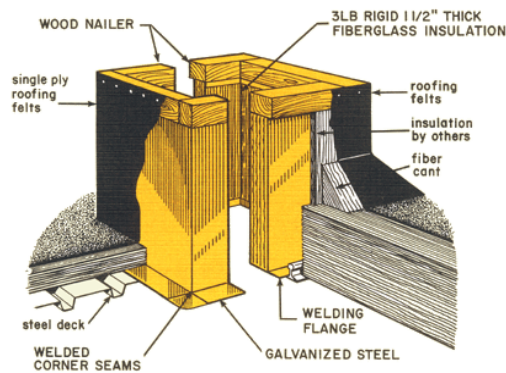




SPECIFY RPS FOR ALL ROOF OPENINGS

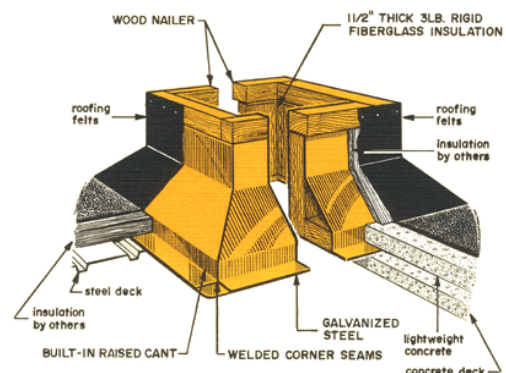
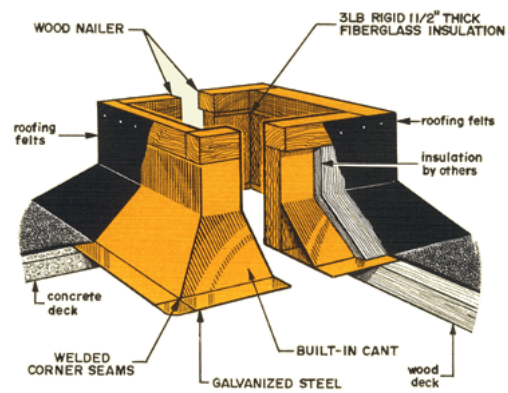
CUSTOM FABRICATED... to fit all manufacturers' skylights, power roof exhausters, intake and relief vents, smoke hatches, flues, or job fabricated items,... Provides uniform curb construction, method, and quality, with watertight design... Simple to detail... Convenient to contractors... Minimum architectural supervision... Low known cost.

- **WOOD NAILERS...** The sure way of attaching roof felts... eliminating felts from slipping, sagging or buckling... Helps eliminate vibration hum.
- **INSULATION...** 3# density rigid fiberglass board... built-in where it can't be omitted... provides condensation free openings... Has sound absorption qualities.
- **WELDED CORNERS...** Continuous welded corners... monolithic construction... designed to meet all weight requirements.
- **GALVANIZED STEEL...** Provides maximum strength with minimum expansion and contraction.
- **OPTIONAL FEATURES...** Other heights... Roof pitch requirements... Built-in burglar bars... Extended base plate for damper installation... Heavier gauges... Liners... Aluminum construction... Neoprene gasket.
- **SPECIAL APPLICATIONS...** Refer to the appropriate Tab Section.



RC-2A & B STYLE
(Straight-sided)

RC-3A & B STYLE
(Built-in Cant)



RC-4A & B STYLE
(Raised, Built-in Cant)

ROOF PRODUCTS & SYSTEMS • 815 KIMBERLY DRIVE • CAROL STREAM, IL 60188 • TEL: (800) 624-8642 • FAX: (866) 466-9335

All information is subject to change without notice. Dimensions and specifications shown are within manufacturing tolerances.
© Copyright Commercial Products Group of Hart & Cooley, Inc., November 2007. All Rights Reserved.