

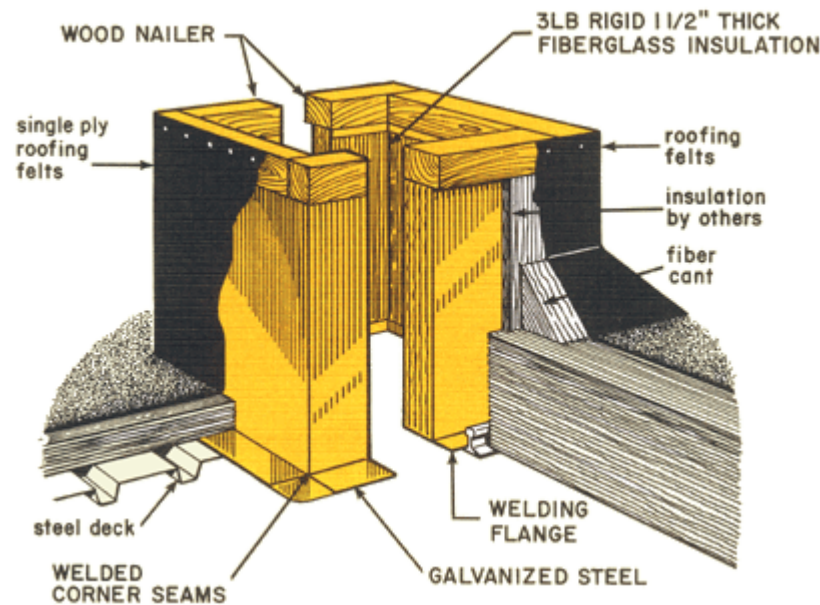


## RC-2A & B SURFACE MOUNT OR BULB TEE STYLE FOR LIGHTWEIGHT FILL, TAPERED INSULATION, OR SINGLE-PLY ROOFING

### SPECIFY RPS FOR ALL ROOF OPENINGS

**CUSTOM FABRICATED**... to fit all manufacturers' skylights, power roof exhausters, intake and relief vents, smoke hatches, flues, or job fabricated items,... Provides uniform curb construction, method, and quality, with watertight design... Simple to detail... Convenient to contractors... Minimum architectural supervision... Low known cost.

- **WOOD NAILERS**... The sure way of attaching roof felts... eliminating felts from slipping, sagging or buckling... Helps eliminate vibration hum.
- **INSULATION**... 3# density rigid fiberglass board... built-in where it can't be omitted... provides condensation free openings... Has sound absorption qualities.
- **WELDED CORNERS**... Continuous welded corners... monolithic construction... designed to meet all weight requirements.
- **GALVANIZED STEEL**... Provides maximum strength with minimum expansion and contraction.
- **OPTIONAL FEATURES**... Other heights... Roof pitch requirements... Built-in burglar bars... Extended base plate for damper installation... Heavier gauges... Liners... Aluminum construction... Neoprene gasket.
- **SPECIAL APPLICATIONS**... Refer to the appropriate Tab Section.



### SPECIFICATION

Furnish and install prefabricated roof curbs as manufactured by Roof Products & Systems Corporation at all roof openings as shown on drawings.

Curbs shall be of Box Section Design, 18 gauge galvanized steel with continuous welded corner seams, factory installed wood nailer, and shall be insulated with 1-1/2" thick, 3# density rigid fiberglass board. Standard curb height to be 11" unless otherwise shown on drawings. On single-ply roofing, lightweight fill, or tapered insulation use RPS Model RC-2A. Use RPS Model RC-2B if additional field installed exterior insulation is required.

Burglar bars, other heights, roof pitch, liners, and other options shall be furnished where detailed and/or specified in accordance with Roof Products & Systems Corporation details.

[CAD Drawing](#)

[TO RC-3A & B](#) [RC- 2A & B SUBMITTAL SHEET](#) [TO RC-4A & B](#)