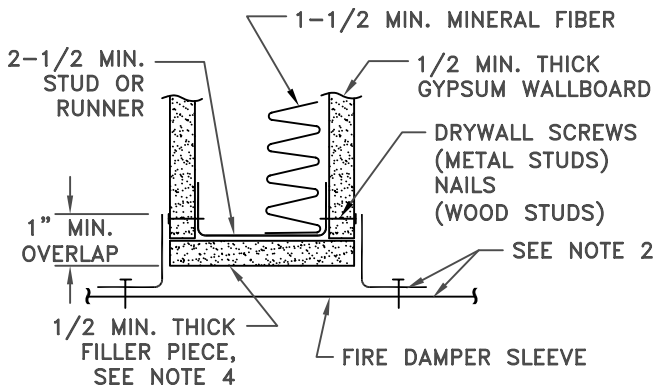
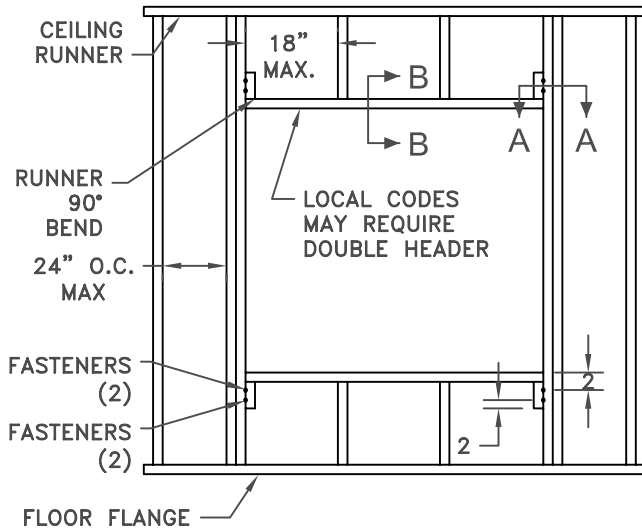


# WARD INSTALLATION

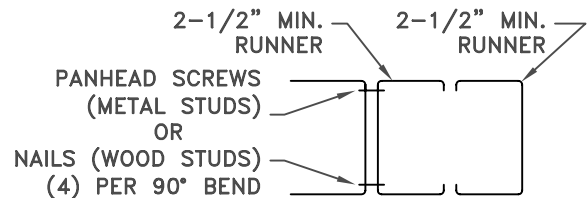
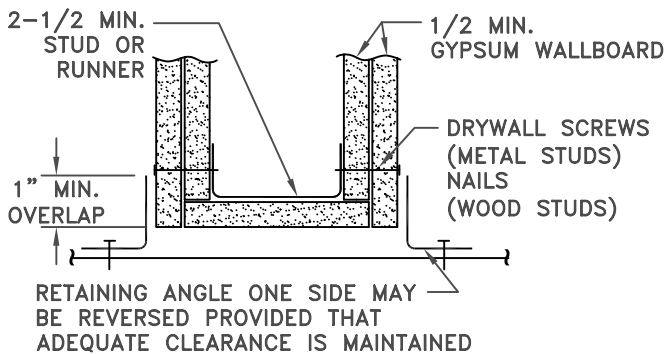
## 1-1/2 Hour Fire Damper Installation Instructions

FOR USE IN UP TO TWO HOUR METAL OR WOOD AND GYPSUM CONSTRUCTION

75  
85



SECTION B-B



SECTION A-A

### NOTES:

1. These illustrated partition designs have successfully been tested in conjunction with 1-1/2 hour classified fire dampers, for additional designs, reference Underwriters Laboratories, Inc. Fire Resistance Directory. Specific framing requirements of openings may vary with the local authority that has jurisdiction. Specific framing requirements should be provided in the architectural and structural drawings.
2. Reference the damper's installation instructions regarding the approved method of attaching the damper to the sleeve, attaching the retaining angles to the sleeve, required expansion clearances, sleeve gauge, etc. Type of framing does not effect the stated required expansion clearance. **Reference "Sleeve Installation" for more information.**
3. Gypsum panels surrounding the opening are to be fastened to all stud and runner flanges, maximum 12" on center.
4. When wood studs are used, filler pieces must be installed around the entire opening. Filler pieces are optional when metal studs are used (consult local codes to determine if filler pieces are required). Filler pieces are to be double screwed (or nailed to wood studs) at a maximum of 12" on center the web of runners and studs.
5. The Office of the California State Fire Marshal and other local jurisdictions require filler pieces around both wood and metal framed openings (no filler pieces around concrete or masonry openings). These codes also require a double header for wood framed openings, consult local code authorities.
6. Double jamb studding is required for openings greater than 36"x36". Single jamb studding is acceptable for openings 36"x36" and smaller.

