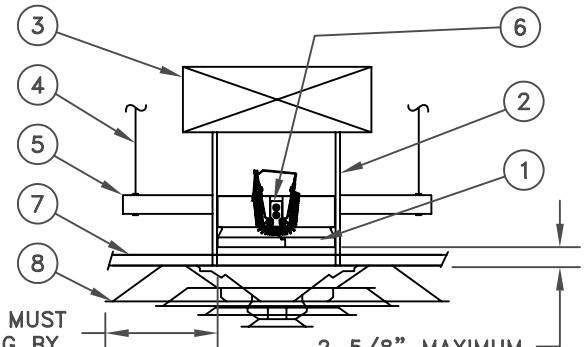
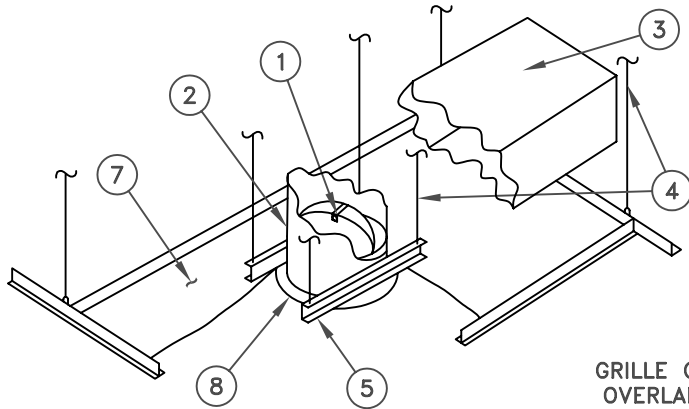


# WARD INSTALLATION

## Round CRD Installation Instructions

FOR USE IN 3 HOUR PARTITIONS OR LESS WITH DUCTED SUPPLY OR RETURN

55



GRILLE OR DIFFUSER MUST  
OVERLAP THE CEILING BY  
A MINIMUM OF 1"

2-5/8" MAXIMUM  
FACE OF CEILING TO  
FACE OF BLADES

### ITEM DESCRIPTION

1. MODEL 55 DAMPER
2. STEEL DUCT DROP OR FLEXIBLE DUCT\*
3. BRANCH DUCT
4. 12 GAUGE STEEL HANGER WIRES
5. COLD ROLLED STEEL SUPPORT CHANNELS (1-1/2" x 1/2" x 16 GA MINIMUM)
6. MOUNTING FASTENERS (3/16" x 1/2" BOLTS, #8 x 1/2" SHEET METAL SCREWS, 3/16" RIVETS, OR SPOT WELDS)
7. ACOUSTICAL PANEL, ACOUSTICAL TILE OR GYPSUM WALLBOARD CEILING (UL CLASSIFIED)
8. MOUNTED STEEL GRILLE OR DIFFUSER

\*FOR OPTIONAL METHOD

## INSTALLATION INSTRUCTIONS

1. Before installing a model 55LP damper, open blades and hook fusible link over the link plates on each blade and bend down the catch to secure link in position. With the 55EA damper, flex the spring wire and secure the link.
2. Support the duct drop/damper with two support channels. Using a specified fastener, secure the channel to the duct/damper at a minimum of two locations, ensuring that the fastener does not interfere with the damper operation. Use hanger wires to support each end of the channel, directly from structural members of the floor or roof in a vertical orientation, not diagonal. If the hanger wire cannot be install vertically, channels shall be used as required to ensure that the grid and damper are supported by vertical hanger wires.
3. Install the ceiling damper in the duct drop using one of the specified fasteners at a maximum of 6" on center and in a minimum of three locations. Pre-assembly of ceiling radiation dampers/ducting/register boxes is permitted using one of the listed fastening methods.  
\*Optional: when using flexible duct, use a clamp or minimum 16 GA steel wire to fasten it to the damper, ensuring that it will not interfere with the damper operation. The flex air duct shall be no longer than 14' and be Class 0 or 1 bearing the UL Mark. Provide a minimum of 4" of clearance between the flex air duct and the ceiling grid or panels.
4. Duct outlets in the lay-in ceilings should be field located in an acoustical ceiling panel or tile. Where it is necessary to cut a runner or cross tee, each end shall be supported by a vertical hanger wire. A 1/2" clearance shall be maintained between the duct outlet and each cut end of a main runner or cross tee. The duct outlet shall be located so that no more than one main runner or cross tee is cut when penetrating the ceiling membrane.
5. Steel grille or diffuser to be attached to the duct drop or ceiling damper using #8 x 1/2" sheet metal screws, 3/16" rivets, 1/4" tack welds at a maximum of 6 inches on center and a minimum of three locations.
6. The flange on the grille or diffuser at the ceiling membrane level shall provide a minimum of 1" support for the ceiling panels. The clearance between each side of the ceiling damper/duct drop and lay-in panel shall be a maximum of 1/8".



500 E. Eighth Street • Holland, MI 49423

T (800) 466-9374 • F (866) 466-9335 • www.wardind.com