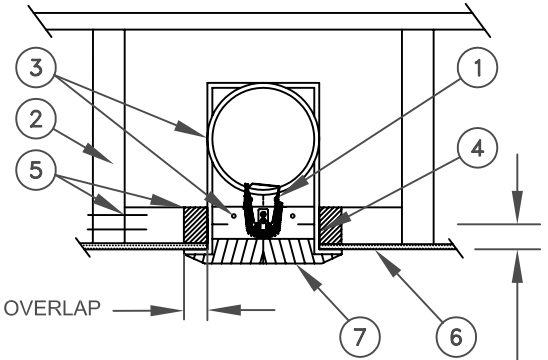
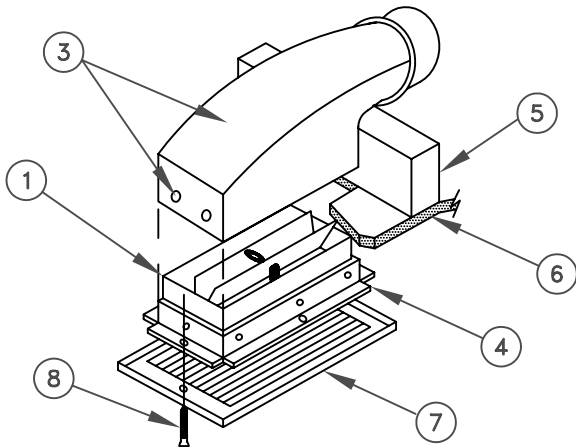


WARD INSTALLATION

Rectangular CRD Installation Instructions FOR USE IN WOOD AND GYPSUM CONSTRUCTION PARTITIONS

50



MINIMUM 1" OVERLAP

MAXIMUM 2-5/8" FROM CEILING TO BLADES IN CLOSED POSITION

ITEM DESCRIPTION

1. MODEL 50 CEILING RADIATION DAMPER
2. FLOOR OR ROOF TRUSSES, JOISTS OR SUPPORT BEAMS
3. 30 GAUGE MINIMUM PLENUM BOX SECURED TO 2 x 4 FRAMING WITH #8x3/4" SHEET METAL SCREWS (4) PLACES MINIMUM
4. 22 GAUGE SLEEVE WITH 3/4" FLANGES, FASTENED TO CRD ON 6" CENTERS MAXIMUM (NOT REQUIRED IF BOX HAS FLANGES)
5. 2 x 4 FRAMING (2) PLACES MINIMUM, MOUNTED ABOVE OR FLUSH TO CEILING MATERIAL AND SECURED TO JOISTS OR TRUSSES
6. CEILING: ACOUSTICAL PANEL (LAY-IN), ACOUSTICAL TILE OR GYPSUM WALLBOARD
7. STEEL GRILLE, DIFFUSER OR REGISTER
8. ASSEMBLY FASTENED TO 2 x 4 FRAME WITH #8 SCREWS (2) PLACES MINIMUM

Model 50LP and 50EA dampers are classified to UL 555C as 3 hour or less heat barriers illustrated in the UL Fire Resistance Directory. Model 50LP and 50EA damper - plenum box assemblies are ARL Listed to be in compliance with UL 555C. Ceiling dampers and the associated components (diffusers, grilles, ducts, etc.) which are to be constructed of steel are installed in the ceiling to maintain the hourly ratings of these rated floor-ceiling and roof-ceiling assemblies.

INSTALLATION INSTRUCTIONS:

1. Before installing a model 50LP damper, open blades and hook fusible link over the link plates on each blade and bend down the catch to secure the link in position. With the 50EA damper, flex the spring wire and secure the link.
2. Measure the spacing between the joists or trusses (structural members) allowing for 2x4 frame mounting. Cut and fasten to the structural members on both ends, spacing frames to accurately accommodate plenum sizes. 2x4 frames are fastened to the structural members with a minimum of (2) fasteners for each frame mounting point using #6-#10 common nails or #8-#10 screws of the appropriate length.
3. Install the register box or boot (plenum) into the frame at the appropriate height allowing for the damper assembly. Plenums are fastened to the structural members with a minimum of (2) fasteners for each frame mounting point using #8-#10 x 3/4" flat head screws. Test the plenum box location, final sizing, and damper function prior to installation of ceiling materials. The damper assembly must join the plenum box with no greater than 1/8" spacing. Then secure the ducting to the plenum collar.
4. Install ceiling materials with less than 1/8" clearance to the damper assembly and plenum. Once the ceiling material is secured, install and fasten the damper assembly and grille using a minimum of (2) #8 x 2" sheet metal, wood or drywall screws through the ceiling material and into the 2 x 4 framing. Check the damper function upon completion.



500 E. Eighth Street • Holland, MI 49423
T (800) 466-9374 • F (866) 466-9335 • www.wardind.com