



# Model "VR" Isolation Base

Technical Product Information

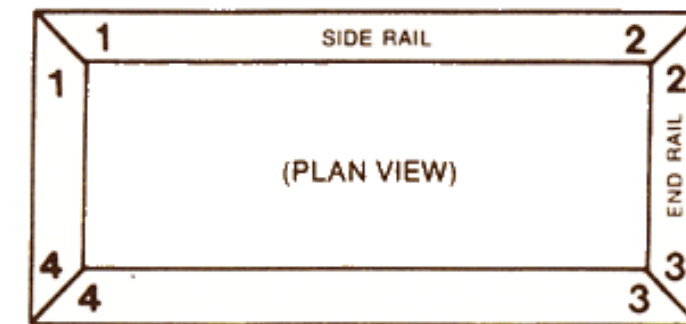
## INSTALLATION INSTRUCTIONS

The RPS "VR" Aluminum Base has been shipped in sections requiring jobsite assembly by the contractor. The isolation base consists of four separate rail sections designed to fit together on the RPS roof curb, forming a rectangular frame. Each rail includes mitered, pre-drilled, marked corners and is composed of a top and bottom assembly with springs in between- these top and bottom sections are not to be separated.

Install RPS roof curb at designated rooftop location and install weatherproof flashings.

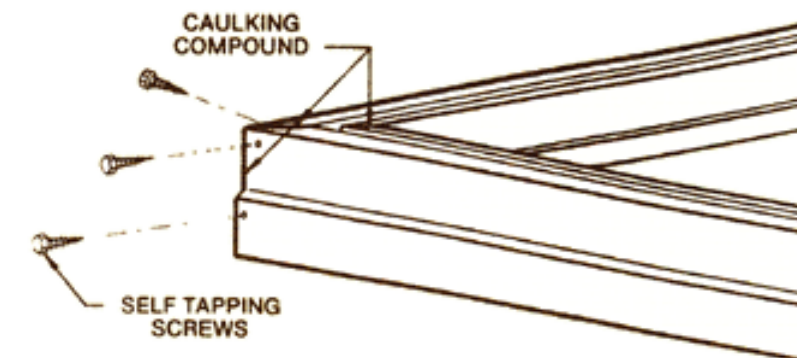
Place the two end rail assemblies on top of the curb. Arrange the rails so that the supply, return, or condenser tags marked on the rails match the proper roof openings or equipment configurations.

Once the end rails are properly set, install the side rail assemblies on top of the curb, matching the marked corners 1, 2, 3, and 4.



Partially fasten each of the four mitered corners using supplied self-tapping screws leaving a 1/16" opening for caulking.

Caulk joints with silicone caulking compound supplied. Tighten all screws creating a weathertight seal.



It's that simple! The "VR" base is now ready.

Install the rooftop unit on top of the assembled isolation base.

