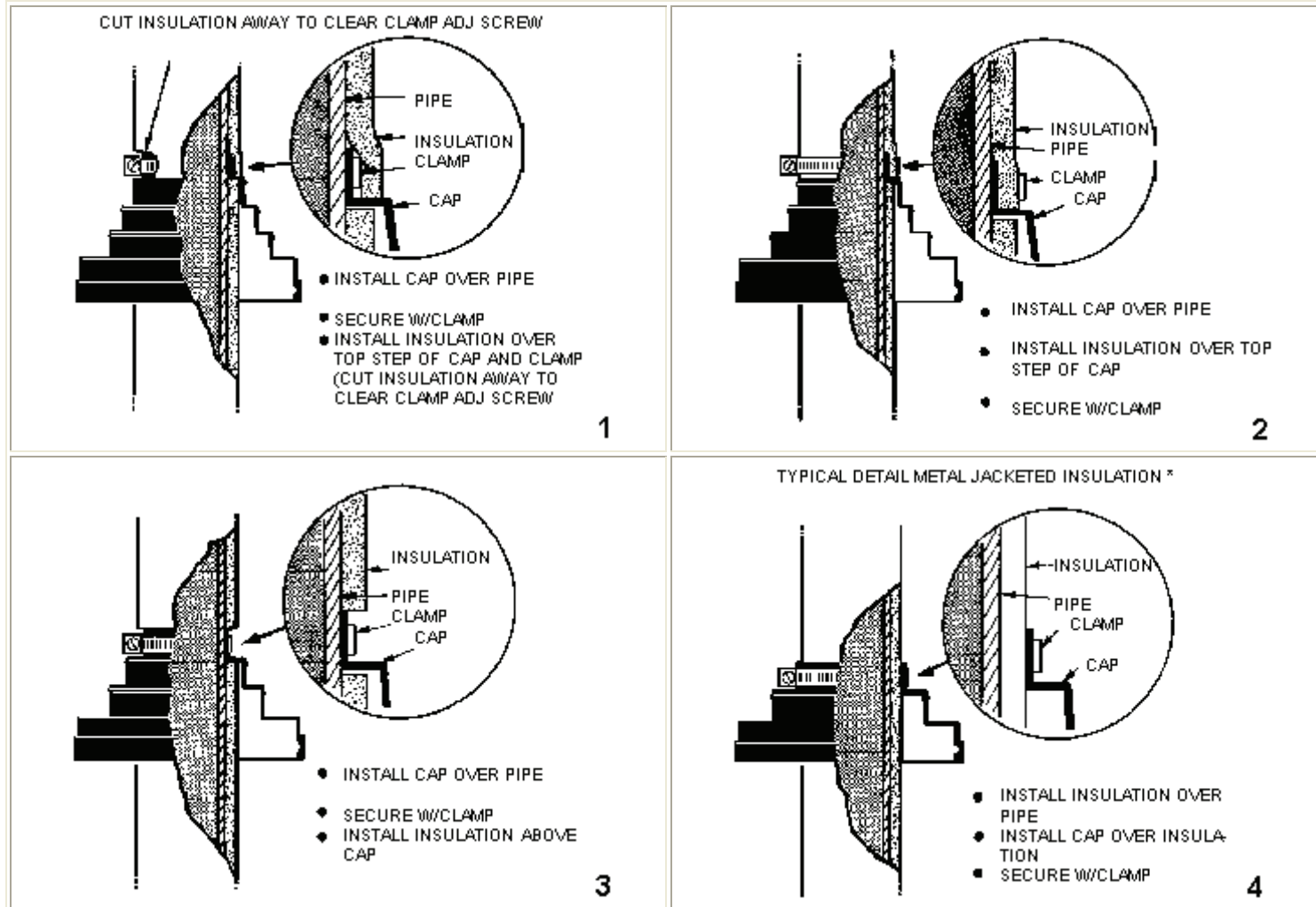
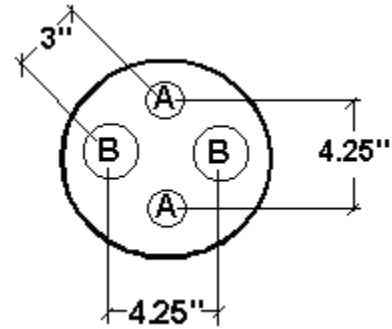
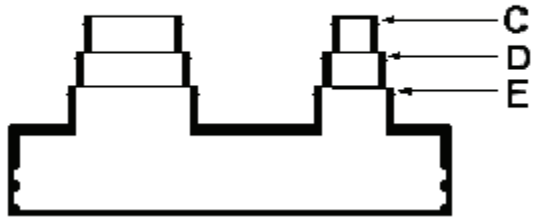


ALUMI-FLASH CAP INSTALLATION TECHNIQUES WITH INSULATED PIPE



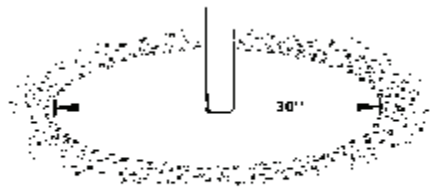
PIPE LAYOUT REFERENCE CHART



CAP MODEL	A			B		
	C	D	E	C	D	E
C-212	.375"	.75"	1"	1"	1.5"	2"
C-412	1"	1.5"	2"	1"	1.5"	2"
C-481	.375"	.75"	1"	.375"	.75"	1"

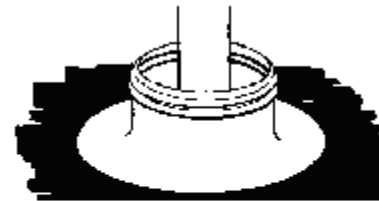
*Note: With installation 2 and 4, watertightness depends directly upon watertightness of metal jacketed insulation.

Installation Instructions



STEP 1

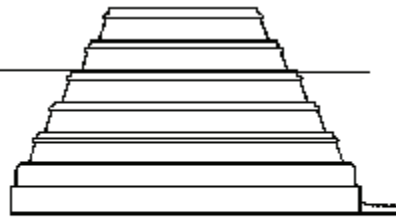
Scrape back gravel and prepare surface 15" in all directions from the penetration.



STEP 2

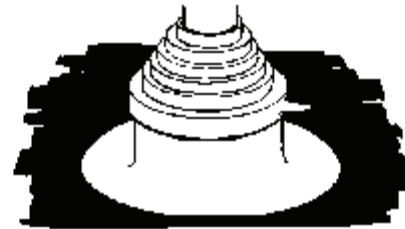
Clean and prime flange in accordance with roof manufacturer's recommendations. Spread mastic or adhesive over cleared area and place base over the pipe.

CUT



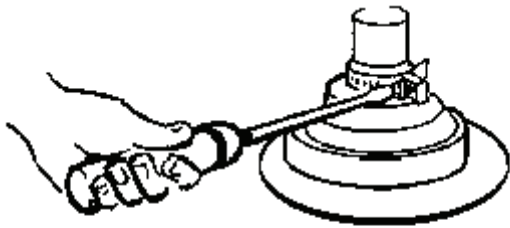
STEP 3

Select proper step of the rubber cap and cut off above index ring. REMEMBER: When in doubt, cut the smaller size.



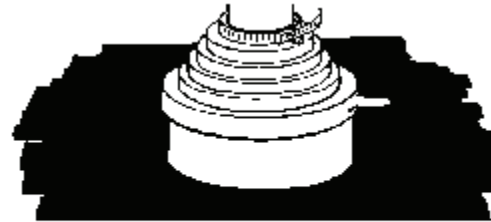
STEP 4

Slip the cap down over the pipe and on to the collar. Press around edge to be sure cap is properly sealed. This will center the unit.



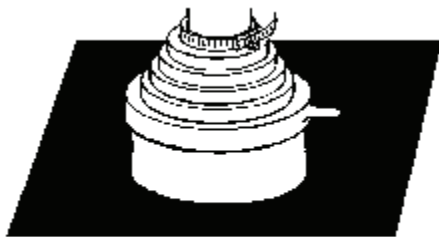
STEP 5

Place clamp around pipe and rubber cap and tighten screw.



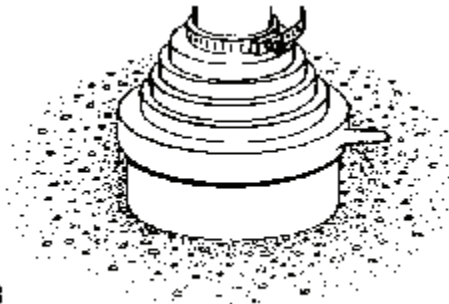
STEP 6

Apply mastic or adhesive over top flange and cleared area of roof.



STEP 7

Strip in with roofing material.



STEP 8

Cover with ballast material.