

WARD INSTALLATION

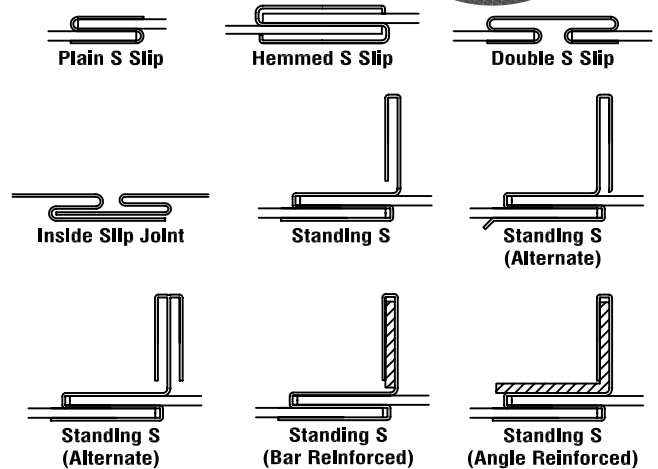
Breakaway Connections FOR USE WITH ALL SERIES FIRE DAMPERS

Sleeve

Transverse joints are illustrated at the right have always been approved as breakaway connections. SMACNA testing has also approved the following variations as breakaway connections.

Breakaway joints as illustrated can be applied with no more than two #10 sheet metal screws on each side and bottom, penetrating both the joint and duct.

Breakaway joints as illustrated are permitted on the top and bottom of horizontal ducts, with drive slips no greater than 20" on the sides.



Round and Oval Duct Breakaway Connections

Round or flat oval ducts breakaway connections must use #10 sheet metal screws as follows:

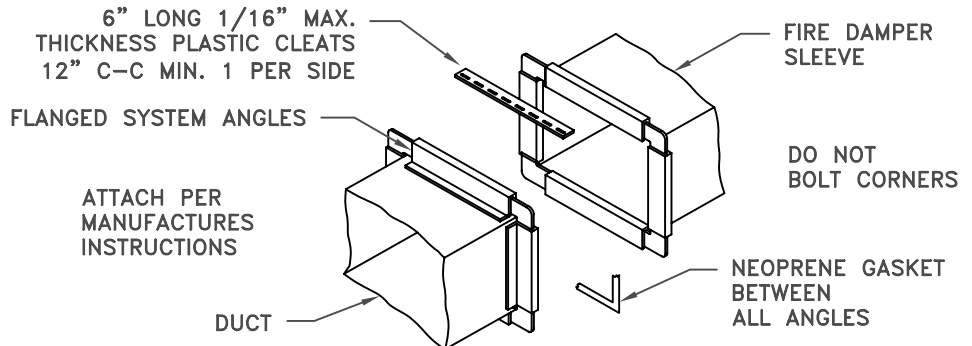
Ducts diameters up to 22" use a maximum of 3 screws equally spaced around the circumference.

Ducts diameters larger than 22" use a maximum of 5 screws equally spaced around the circumference.

Note: All breakaway connections described may have duct sealant applied in accordance with SMACNA recommendations.

Manufactured Flange System Breakaway Connections

Flanged connection systems manufactured by Ward are approved as breakaway connections when installed as illustrated.



PROPRIETARY FLANGE SYSTEM BREAKAWAY CONNECTIONS (TDC by Lockformer, TDF by Engel)

TDC and TDF systems are approved as breakaway connections when installed as described in the SMACNA Fire, Smoke and Radiation Damper Installation Guide. Standard 6" metal clip may be used with spacing as shown in diagram.

